

Hayes James

ENGINEERS, PLANNERS & SURVEYORS

3830 EAST FIRST STREET  
SUITE 1  
BLUE RIDGE, GEORGIA 30513  
TEL: (706) 632-4981  
FAX: (706) 632-4982

UNION COUNTY

65 COURTHOUSE STREET  
BLAIRSVILLE, GA 30512  
Phone: (706) 439-6000

Contact: LARRY GARRETT  
(706) 439-6000

This document is prepared for the exclusive use of UNION COUNTY and shall not be relied on by any other person or entity.

No.	Date	By	App.	Issue
1	05-03-17	KEH	RD	FOREST SERVICE COMMENTS

© Copyright 2017 HAYES, JAMES & ASSOCIATES, INC  
This drawing and their reproductions are the property of the engineer and may not be reproduced, published, or used in whole or in part without the written permission of the engineer.



Project Title  
**BYRON HERBERT REECE CONNECTOR TRAIL**

Project Location  
Address FSR NO. 109 & 109A  
City, State Zip -  
Land Lot 29,30,43, & 44  
District-Section 16TH  
County UNION

Project No. 05-085-C  
Drawn By: TT  
Checked By: KEH  
Initial Issue Date: 03-27-2017

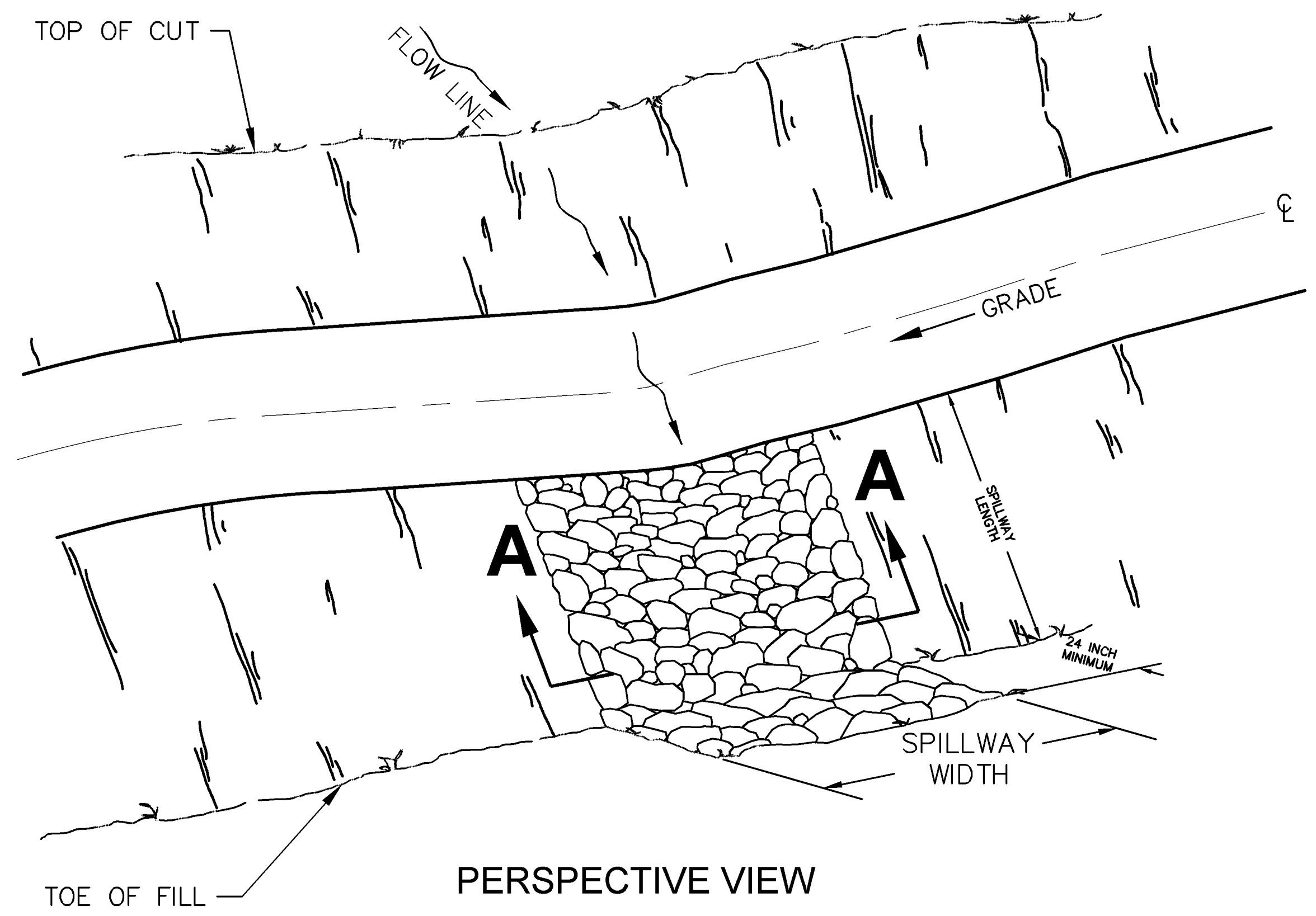
Sheet Title  
**ROCK SPILLWAY**

Sheet Number  
**C-11**

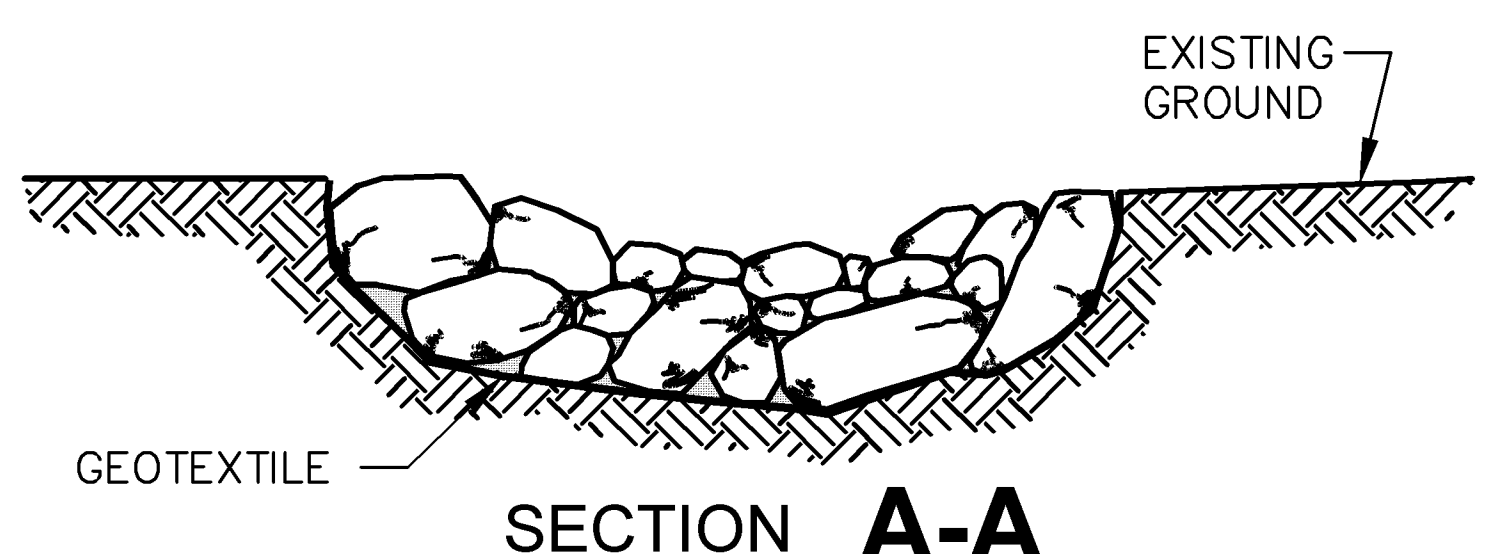
ROCK SPILLWAY

TYPICAL ID	SPILLWAY WIDTH	SPILLWAY LENGTH	GEOTEXTILE TYPE	MINIMUM ROCK SIZE (LBS)	MAXIMUM ROCK SIZE (LBS)	RETAINER* TYPE	COMMENTS
RSP-1	6	6	G1	50	150	R3A	DRAIN DIPS

N/A WHEN NOT APPLICABLE  
\*FOR TYPICAL RETAINERS SEE SHEET C-12

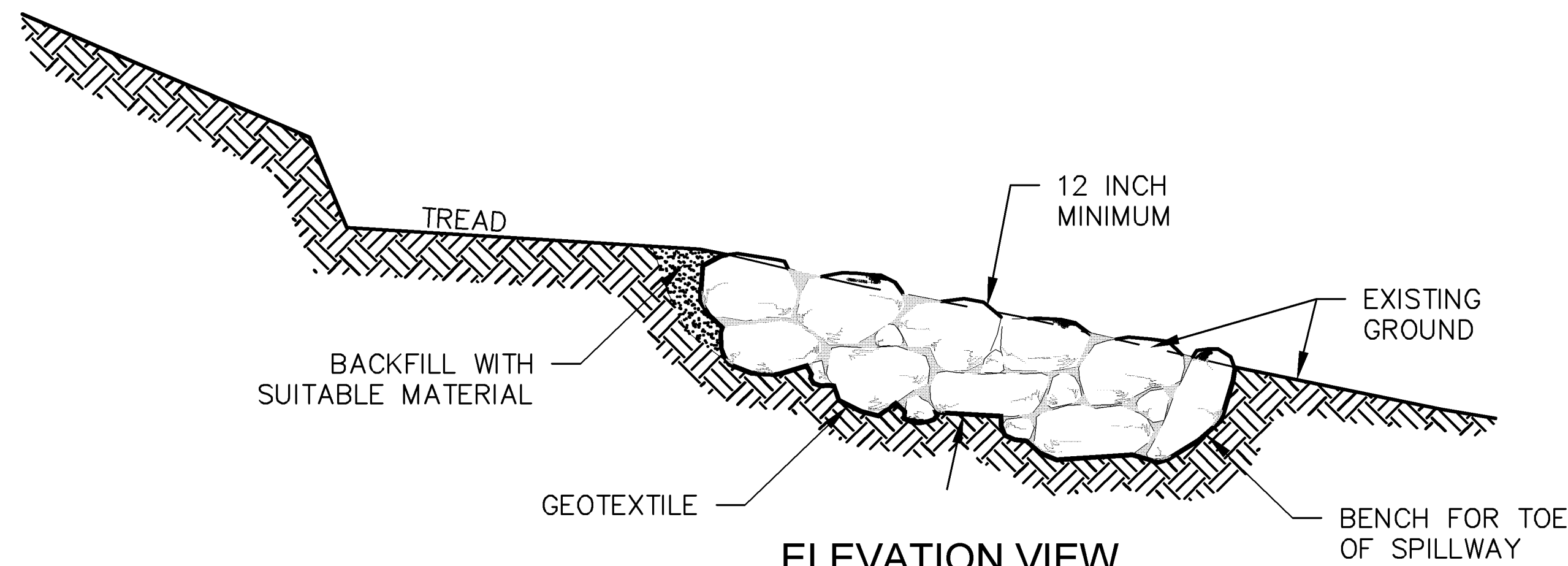


PERSPECTIVE VIEW



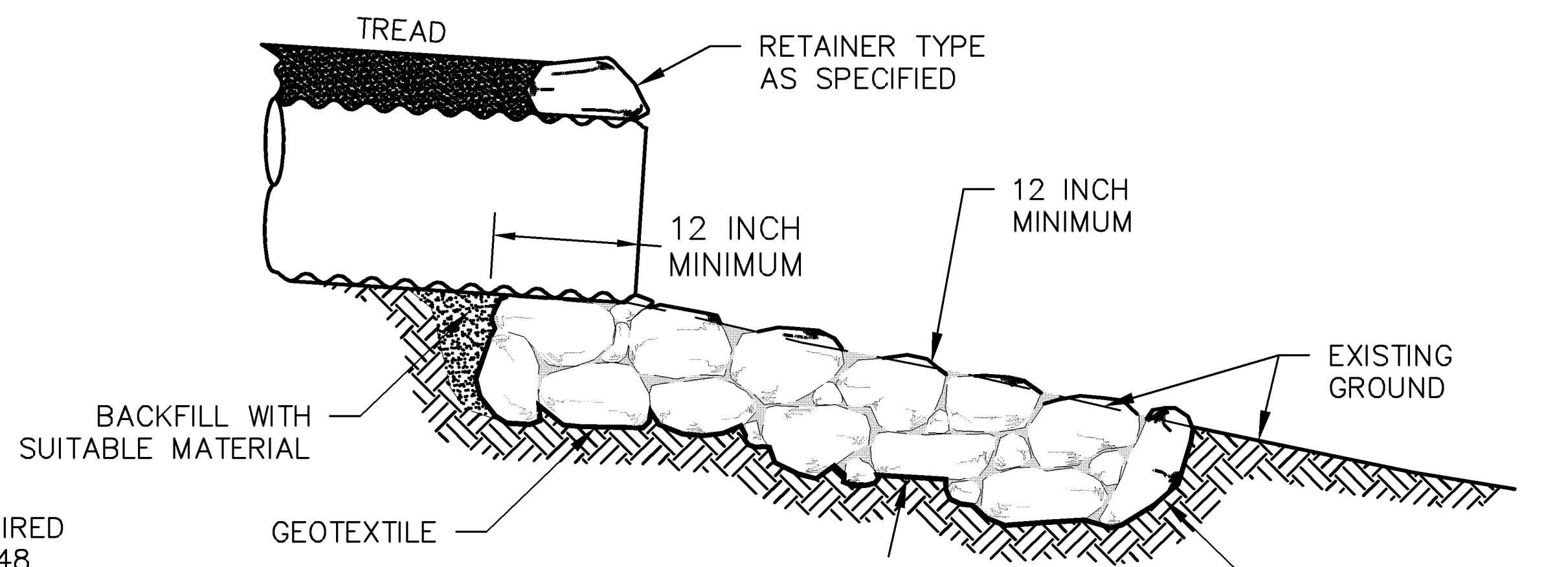
SECTION A-A

- NOTES:
1. COMPACT BACKFILL IN 6 INCH LIFTS UNTIL NO VISUAL DISPLACEMENT.
  2. UNLESS OTHERWISE SPECIFIED WHEN ROCK SPILLWAY IS REQUIRED DIMENSION SHALL BE 36 INCHES WIDE X 12 INCHES DEEP X 48 INCHES LONG. THE AS BUILT FILL SLOPE SHALL BE SUBEXCAVATED 12 INCHES PRIOR TO PLACEMENT OF THE SPILLWAY SO THE FINISHED SURFACE OF THE RIPRAP WILL BE AT THE SAME ELEVATION AS THE ADJACENT SLOPE.



ELEVATION VIEW

ROCK SPILLWAY FOR DRAINAGE DIP OR CROSS DRAIN



ELEVATION VIEW

ROCK SPILLWAY FOR CULVERT OUTLET

i:\projects\105085e.dwg uhr trail design\production\05-085d1 - bhr trail plan.dwg  
normal.ctb  
5/3/2017 9:39 AM  
keith.e.hightower, csio