

Hayes James

ENGINEERS, PLANNERS & SURVEYORS

3830 EAST FIRST STREET SUITE 1 BLUE RIDGE, GEORGIA 30513 TEL: (706) 632-4981 FAX: (706) 632-4982

UNION COUNTY 65 COURTHOUSE STREET BLAIRSVILLE, GA 30512 Phone: (706) 439-6000

Contact: LARRY GARRETT (706) 439-6000

This document is prepared for the exclusive use of UNION COUNTY and shall not be relied on by any other person or entity.

Table with columns: No., Description, Date, App., By, ISSUE

Copyright 2017 HAYES, JAMES & ASSOCIATES, INC. This drawing and their reproductions are the property of the engineer and may not be reproduced, published, or used in whole or in part without the written permission of the engineer.



Project Title

BYRON HERBERT REECE CONNECTOR TRAIL

Project Location Address: FSR NO. 109 & 109A City, State Zip: Land Lot: 29,30,43, & 44 District-Section: 16TH County: UNION

Project No.: 05-085-C Drawn By: TT Checked By: KEH Initial Issue Date: 03-27-2017

Sheet Title

RETAINERS

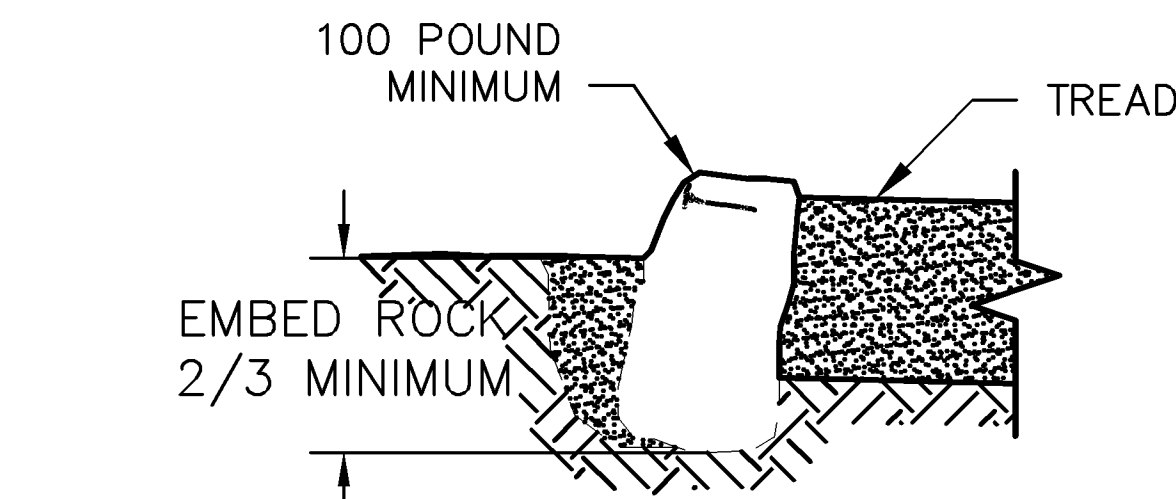
Sheet Number

C-12

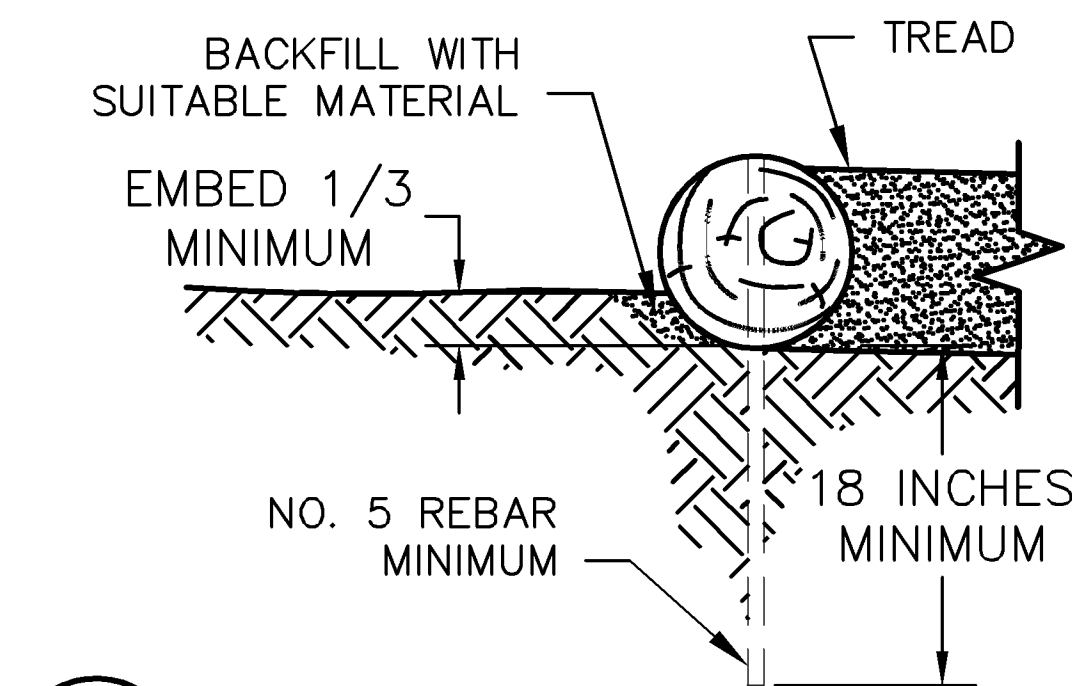
TYPICAL RETAINER TYPE

Table with columns: RETAINER TYPE, MATERIAL, SIZE, SPECIES/ GRADE, PRESERV. TYPE, JOINT TYPE, COMMENTS

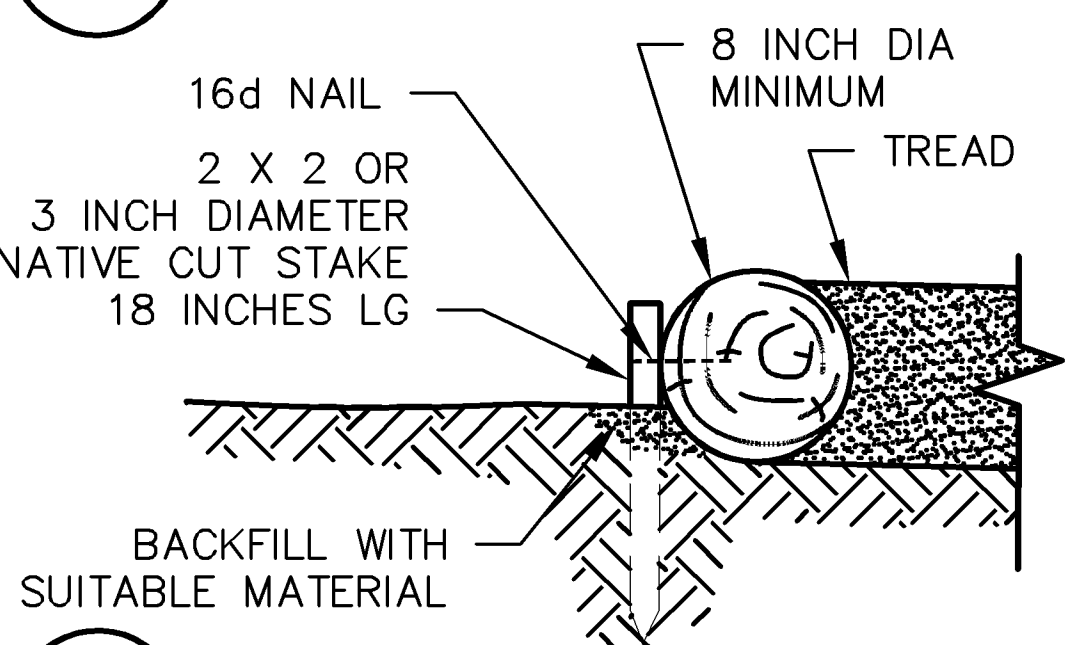
N/A WHEN NOT APPLICABLE



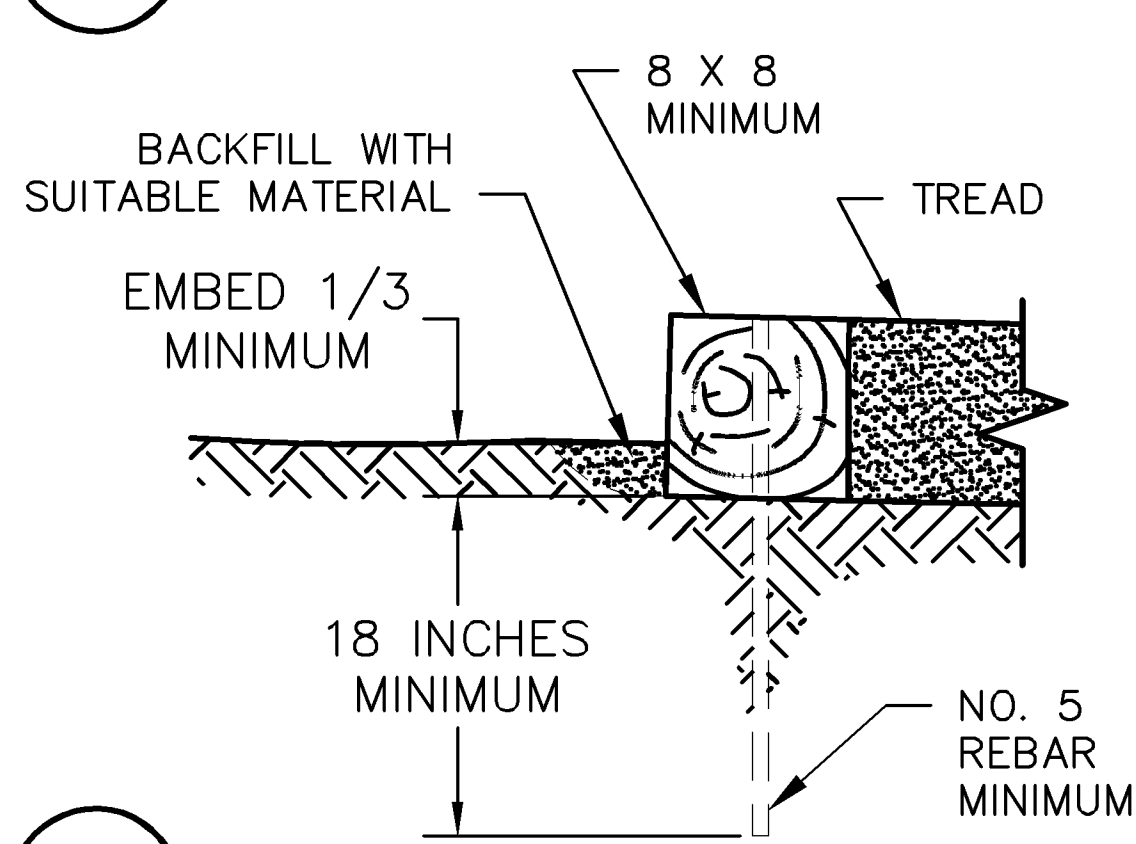
R1 TYPICAL ROCK RETAINER



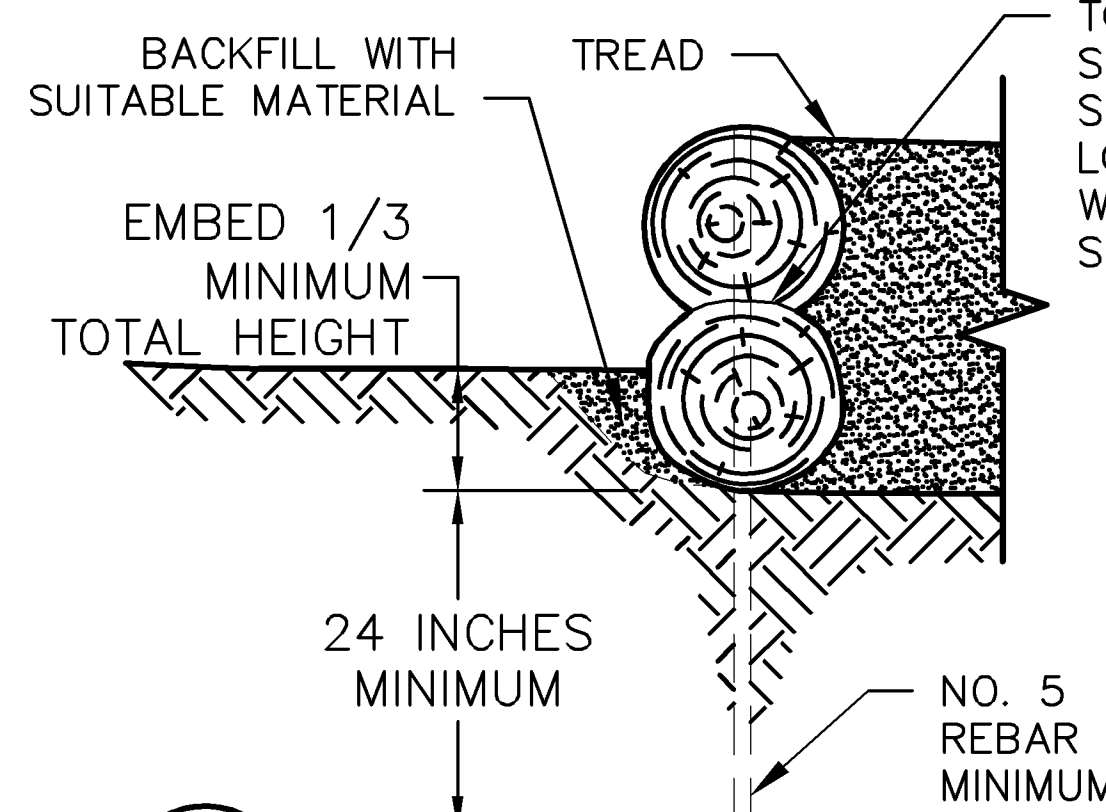
R2a TYPICAL LOG RETAINER



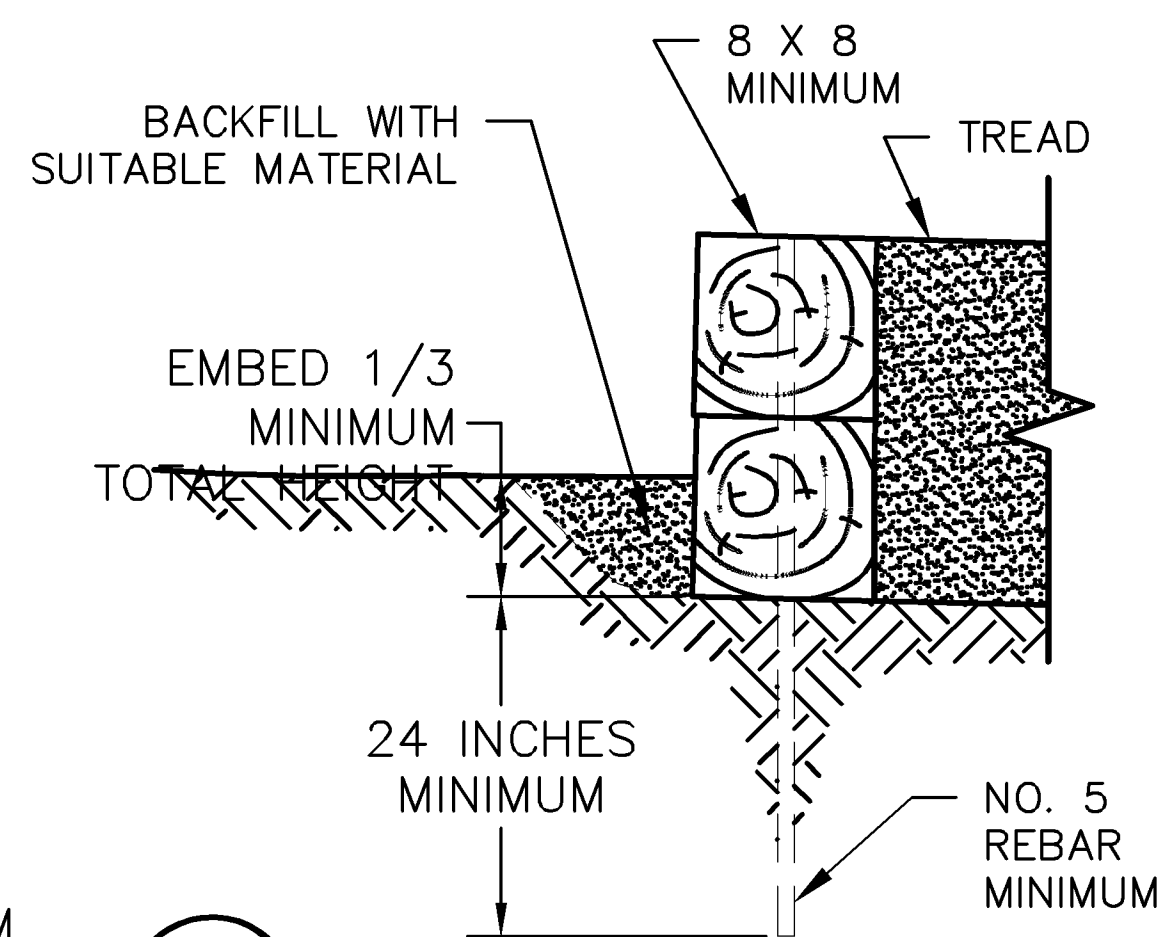
R2b TYPICAL LOG RETAINER



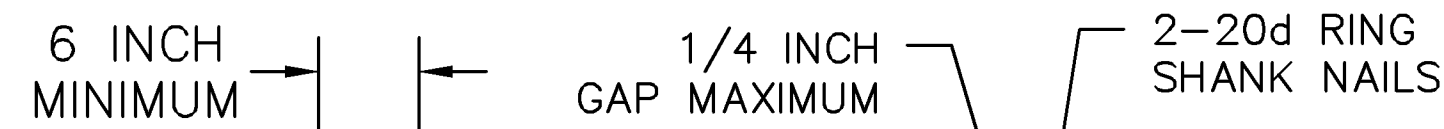
R3a TYPICAL TIMBER RETAINER



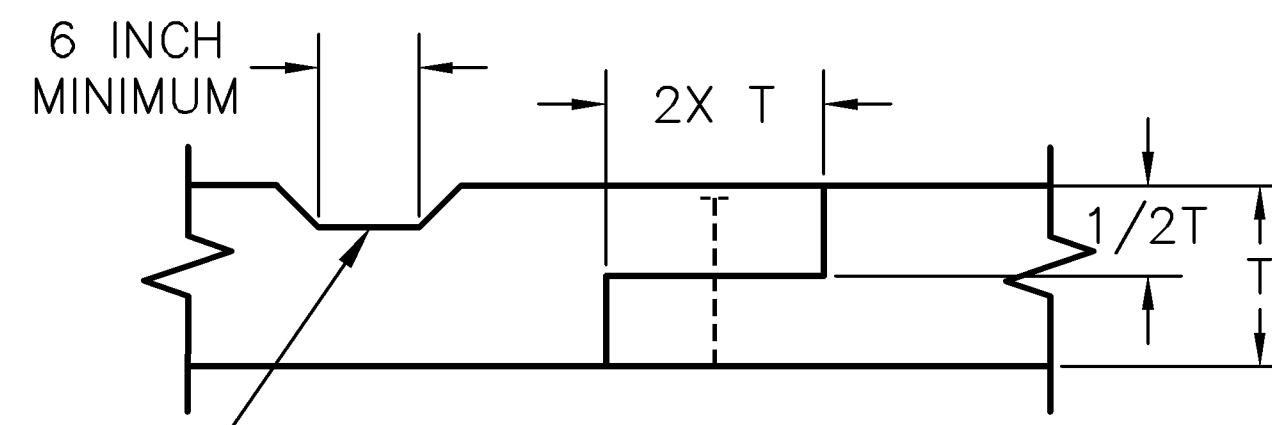
R2c TYPICAL STACKED LOG RETAINER



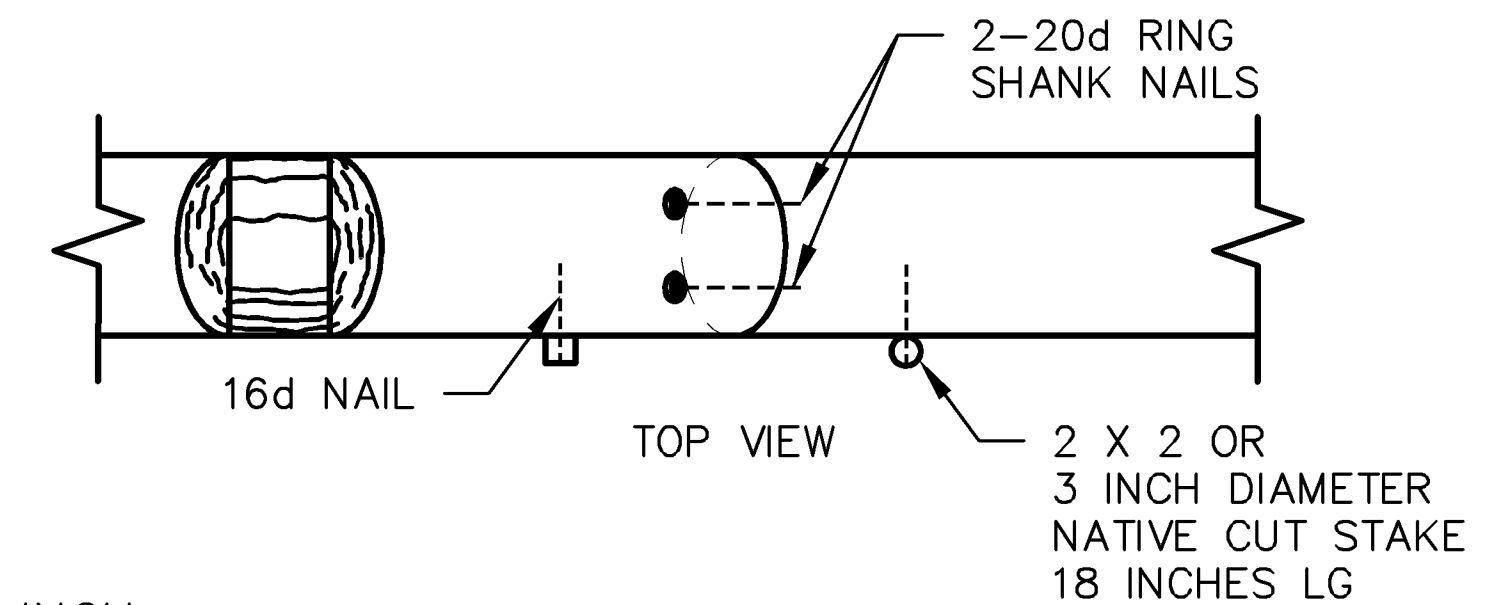
R3b TYPICAL STACKED TIMBER RETAINER



L1 TYPICAL BUTT JOINT



L2 TYPICAL LAP JOINT

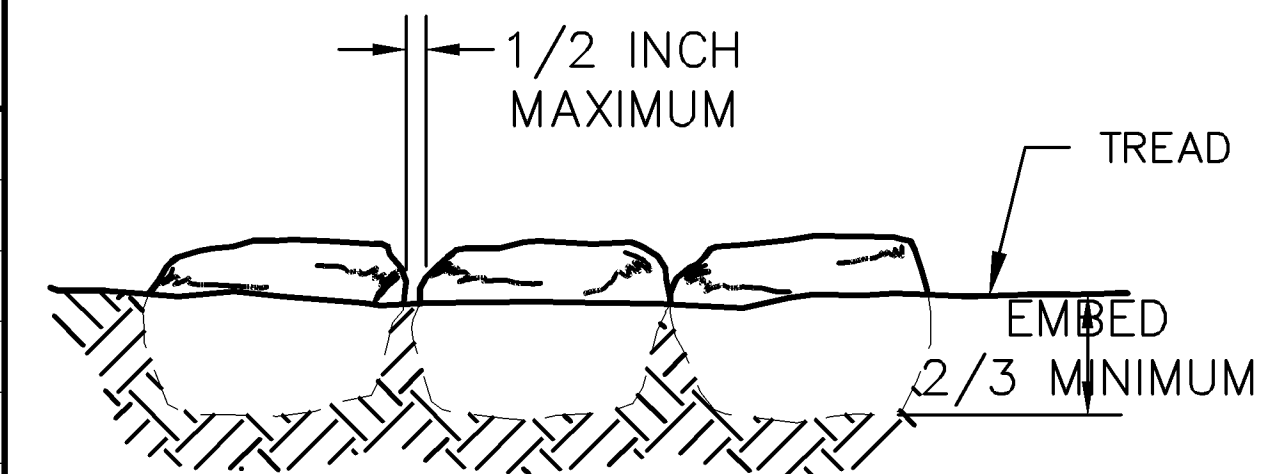


L3 TYPICAL SCARF JOINT

- NOTES: 1. PRE-DRILL HOLES FOR REBAR TO PREVENT SPLITTING OF LOGS OR SAWN TIMBERS. RECESS END OF REBAR 1/2 INCH BELOW TOP OF TIMBER. 2. PLACE REBAR, ANCHOR BOLT OR STAKE 6 INCHES FROM EACH END OF TIMBER WITH MAXIMUM SPACING OF 36 INCHES. FOR STACKED RETAINERS STAGGER JOINTS 24 INCHES MINIMUM. 3. COMPACT BACKFILL IN 6 INCH LIFTS UNTIL NO VISUAL DISPLACEMENT. 4. ALL FIELD DRILLED HOLES AND CUTS SHALL BE FIELD TREATED. 5. REMOVE AND DISPOSE OF DUFF AND TOP ORGANIC LAYERS DOWN TO MINERAL SOIL.

Table: PRESERVATIVE TREATMENT - (REFER TO AWP A USE CATEGORY SYSTEM)

TREATMENT TYPE: WB = WATERBORNE, OT = OIL-BORNE. USE CATEGORY: UC3B = ABOVE GROUND - EXPOSED, UC4A = GROUND CONTACT - GENERAL USE, UC4B = GROUND CONTACT - HEAVY DUTY



TYPICAL ROCK SPACING

i:\projects\105085e\dwg\trailer design\production\05-085e.dwg - bhr trail plan.dwg

normal.ctb

5/3/2017 9:31 AM

keith.e.hightower, csio