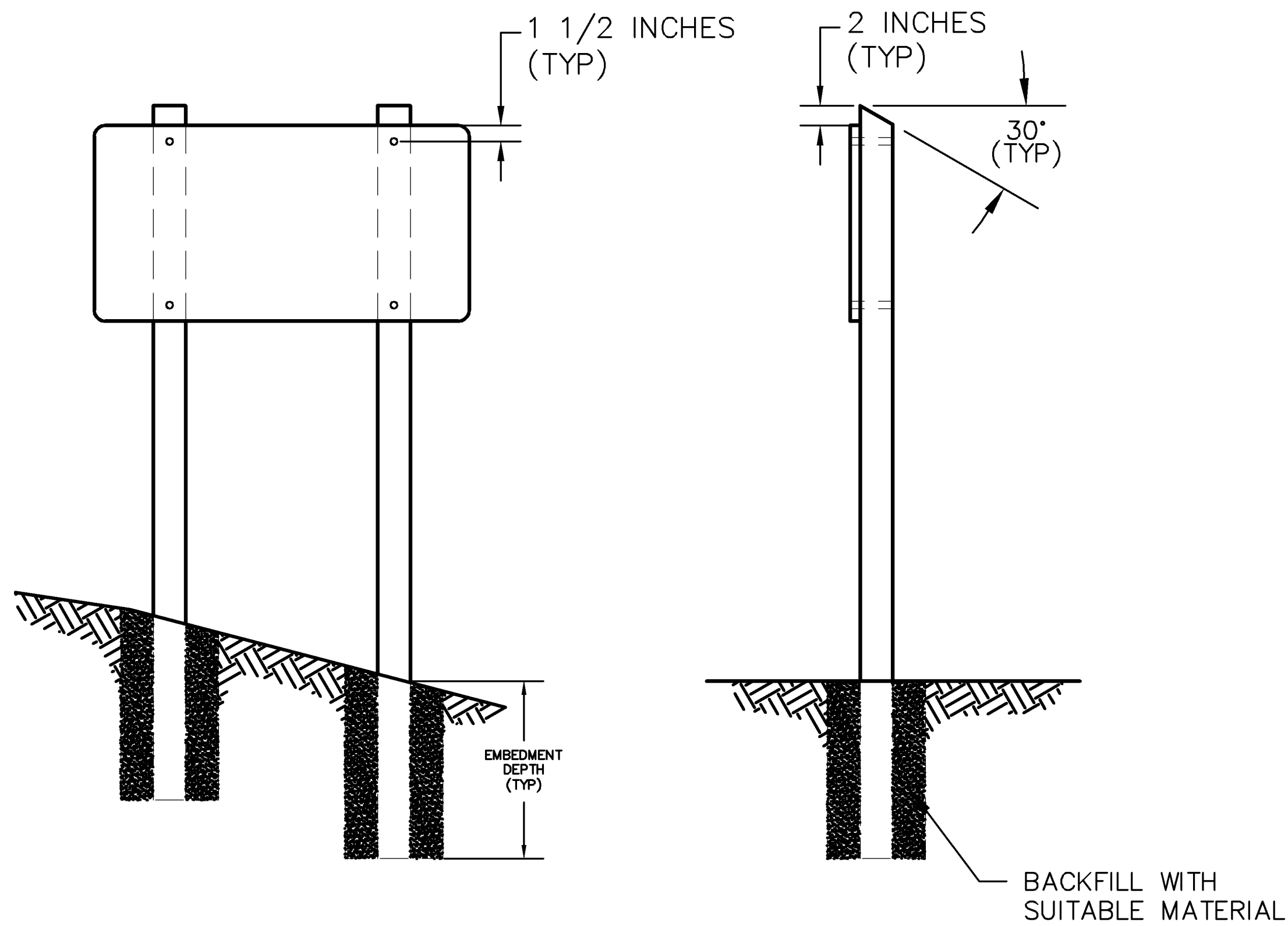
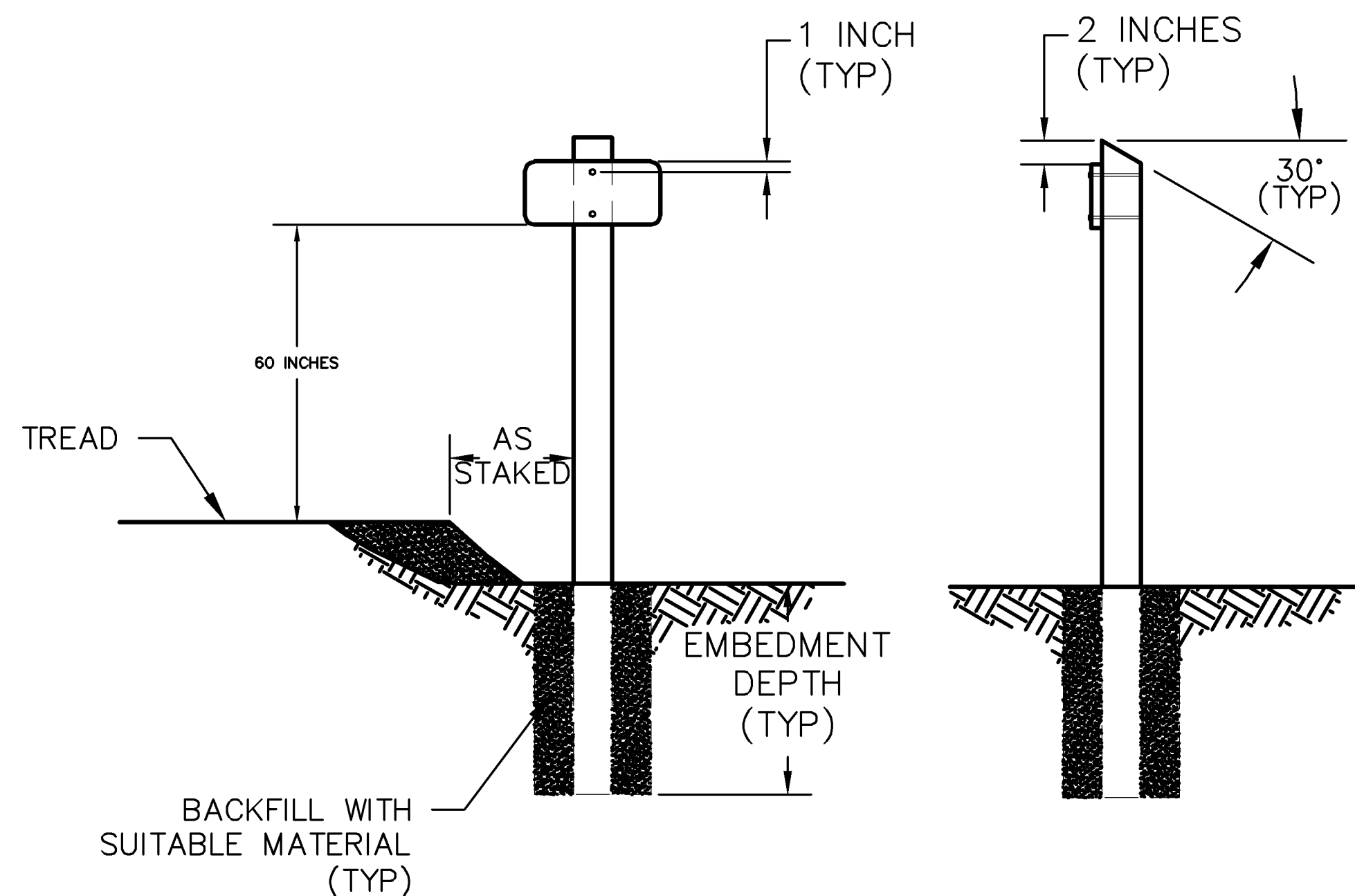


i:\projects\05085e\dwg\dnr\trail design\production\05-085d1 - bhr\trail plan.dwg normal.ctb 5/3/2017 9:32 AM keith.e.hightower, csio



GUIDELINES FOR WOOD SIGN POSTS



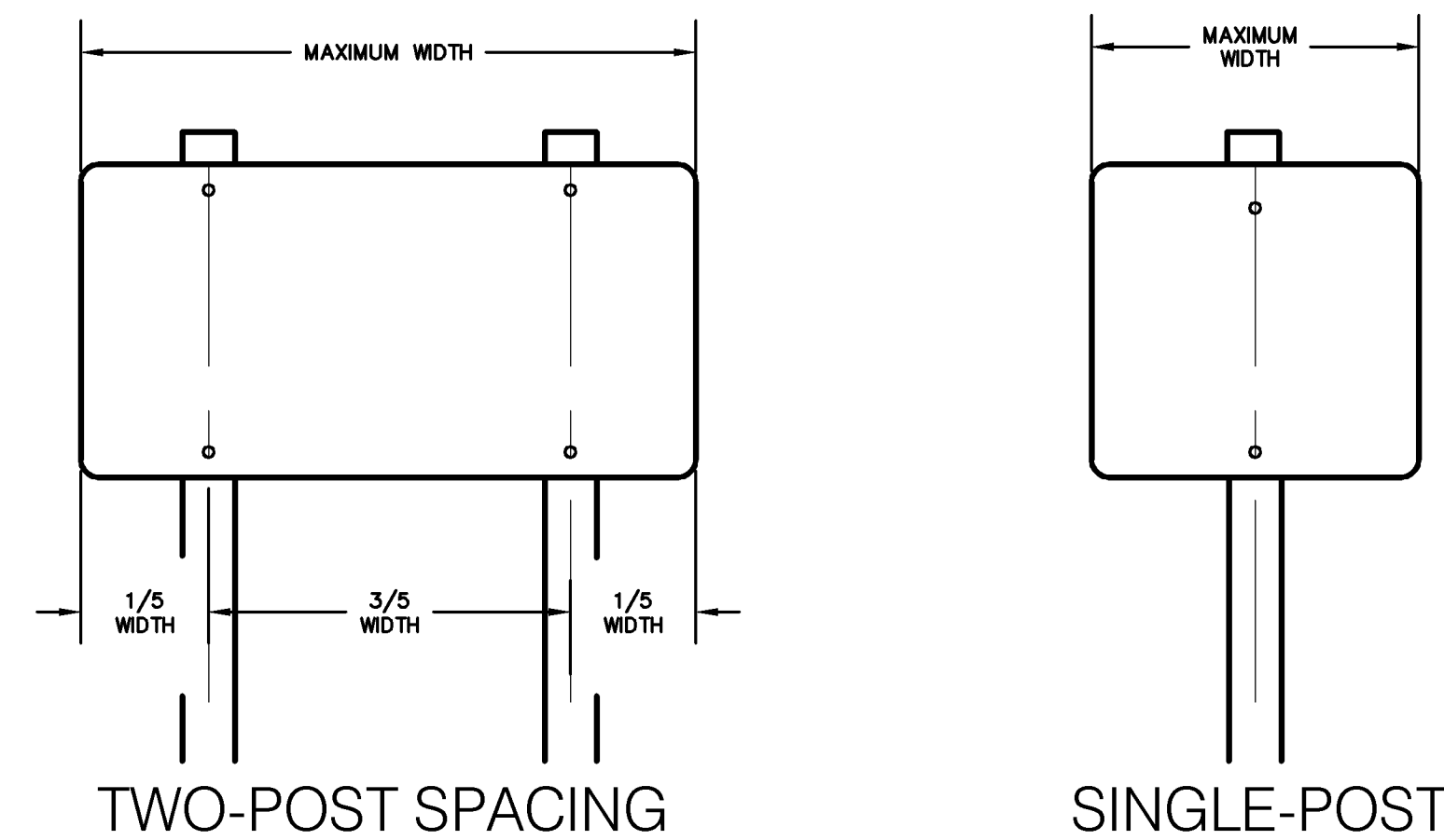
SIGN AND POST INSTALLATION

WOOD SIGN POST SPACING AND SIZE REQUIREMENTS

POST SIZE (IN)	SINGLE POST		TWO-POST		MINIMUM EMBEDMENT DEPTH (FT)
	MAX SIGN WIDTH (IN)	MAX SIGN AREA (SQ.FT)	MAX SIGN WIDTH (IN)	MAX SIGN AREA (SQ.FT)	
4 X 4	*48	10	72	20	3

*THE MAXIMUM WIDTH IS 36 INCHES FOR DIAMOND-SHAPED SIGNS.

STATION	CONTENT
TWO-POST 0+00	TRAIL BEGINNING: 1.23-MI TO HWY 180 1.46-MI TO VOGEL STATE PARK LAKE LOOP TRAIL
SINGLE-POST 10+79	DIRECTION ARROWS (2 SIGN, ONE POINTING LEFT TOWARD VSP LAKE LOOP TRAIL, ONE POINTING RIGHT TOWARD BHR FARM
TWO-POST 25+61	TRAIL BEGINNING: 0.75-MI TO BHR FARM SITE 0.70-MI TO VSP LAKE LOOP TRIAL
TWO-POST 37+01	TRAIL BEGINNING: 0.75-MI TO BHR FARM SITE 0.70-MI TO VSP LAKE LOOP TRIAL
SINGLE-POST 52+66	DIRECTION ARROWS
TWO-POST 53+91	TRAIL BEGINNING: 1.00-MI TO BHR FARM SITE 0.45-MI TO VSP LAKE LOOP TRIAL
TWO-POST 64+69	TRAIL BEGINNING: 1.22-MI TO BHR FARM SITE 0.23-MI TO VOGEL STATE PARK LAKE LOOP TRIAL



NOTES:

- REFER TO "EM-7100-15 SIGN AND POSTER GUIDELINES FOR THE FS" FOR SIGN SPECIFICATIONS, MATERIALS, AND PLACEMENT.
- POST SPACING APPLIES TO BOTH WOOD AND STEEL POSTS.
- FOR SIZES OF STEEL POSTS, REFER TO EM 7100-15.
- ALL HARDWARE SHALL BE ALUMINUM OR GALVANIZED.
- LAG SCREW FASTENERS REQUIRE LEAD HOLES IN POSTS AND SHALL BE DRILLED PRIOR TO INSTALLATION.
- BOLT HOLES IN POSTS TO BE 1/16 INCH LARGER (MAXIMUM) LARGER THAN THE BOLT HOLE REQUIREMENT.
- SIGN AND MARKER POSTS ONLY SHALL BE TREATED WITH CCA (CHROMATED COPPER ARSENATE) FOR UC4A GROUND CONTACT FOR GENERAL USE.
- COMPACT BACKFILL IN 6 INCH LIFTS UNTIL NO VISUAL DISPLACEMENT.

This document is prepared for the exclusive use of UNION COUNTY and shall not be relied on by any other person or entity.

Date	By	App.	Issue	Description	No.

© Copyright 2017 HAYES, JAMES & ASSOCIATES, INC
This drawing and their reproductions are the property of the engineer and may not be reproduced, published, or used in whole or in part without the written permission of the engineer.



Project Title
BYRON HERBERT REECE CONNECTOR TRAIL

Project Location
Address FSR NO. 109 & 109A
City, State Zip -
Land Lot 29,30,43, & 44
District-Section 16TH
County UNION

Project No. 05-085-C
Drawn By: TT
Checked By: KEH
Initial Issue Date: 03-27-2017

Sheet Title
SIGN AND POST INSTALLATION

Sheet Number
C-15