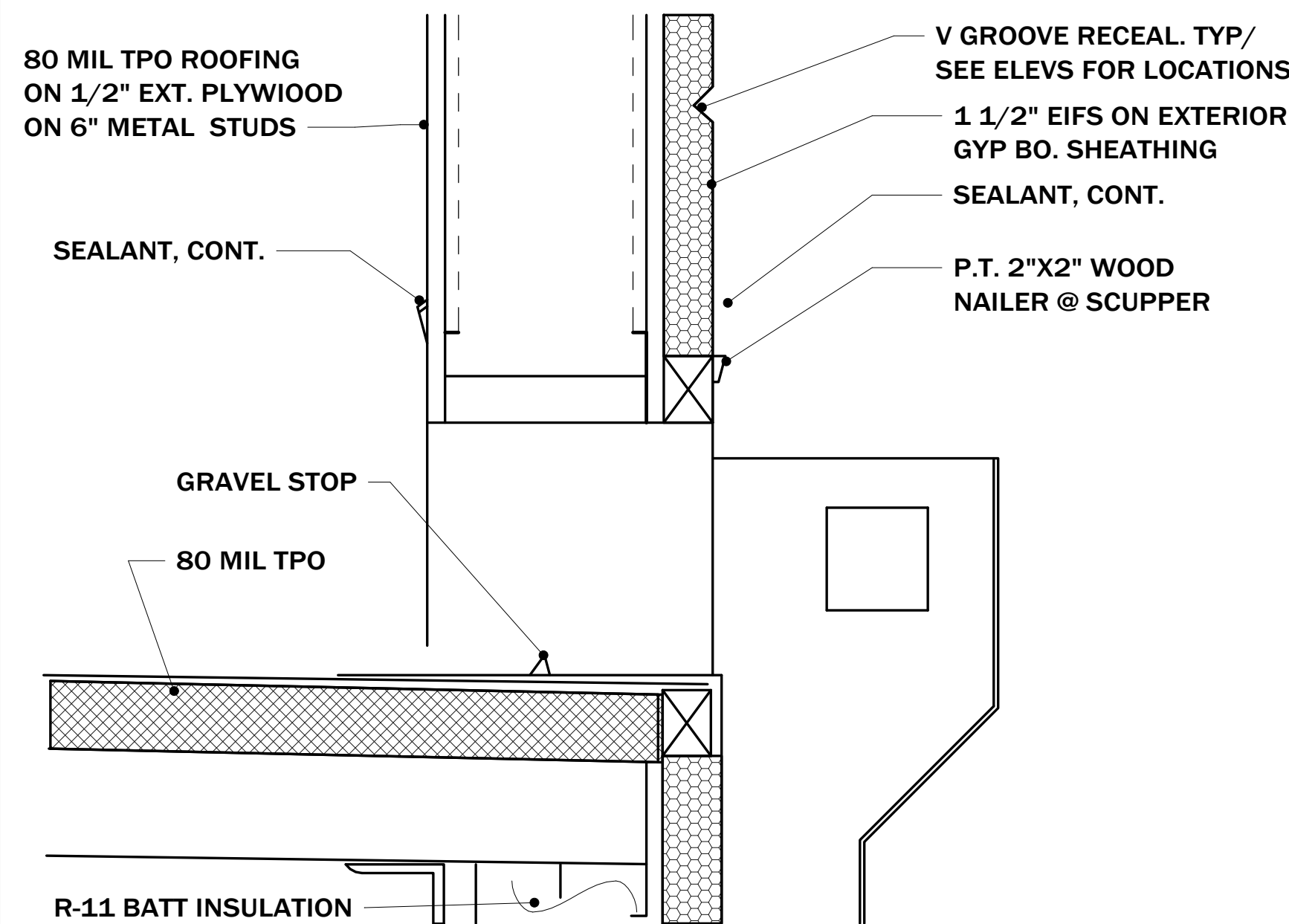
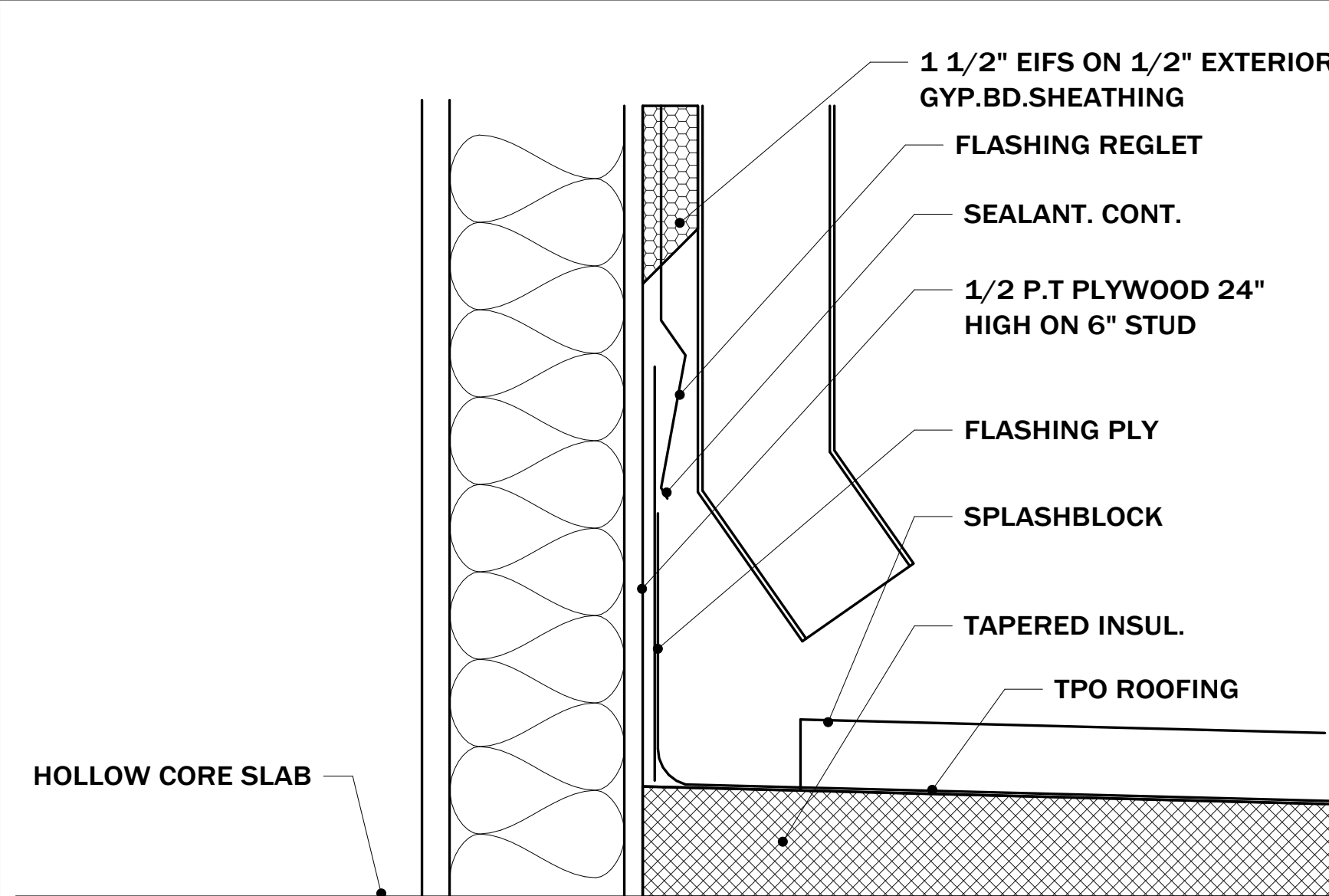


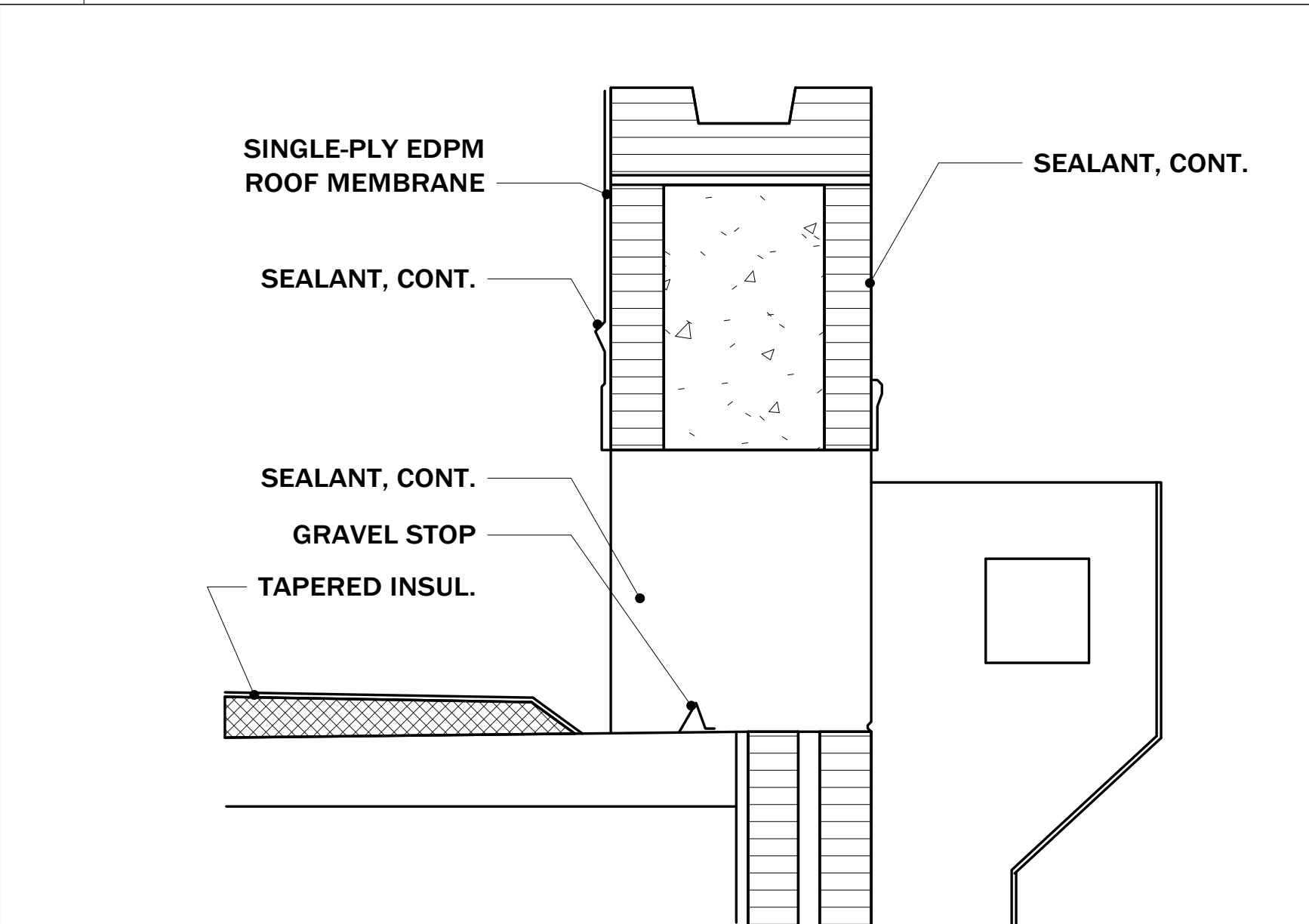
1 DOGHOUSE COPING DETAIL 3" = 1'-0"



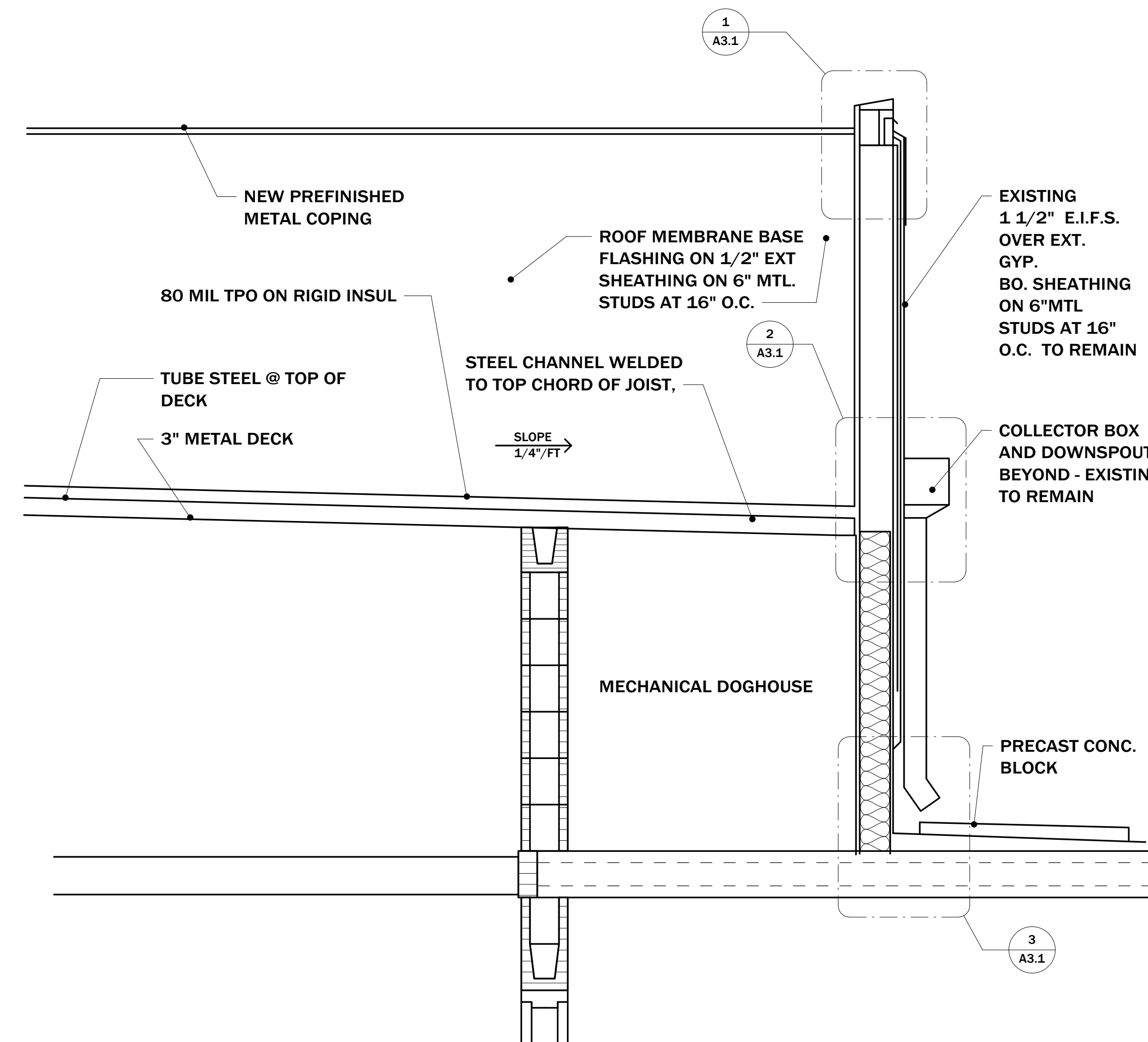
2 DOGHOUSE THRU WALL SCUP DET. 3" = 1'-0"



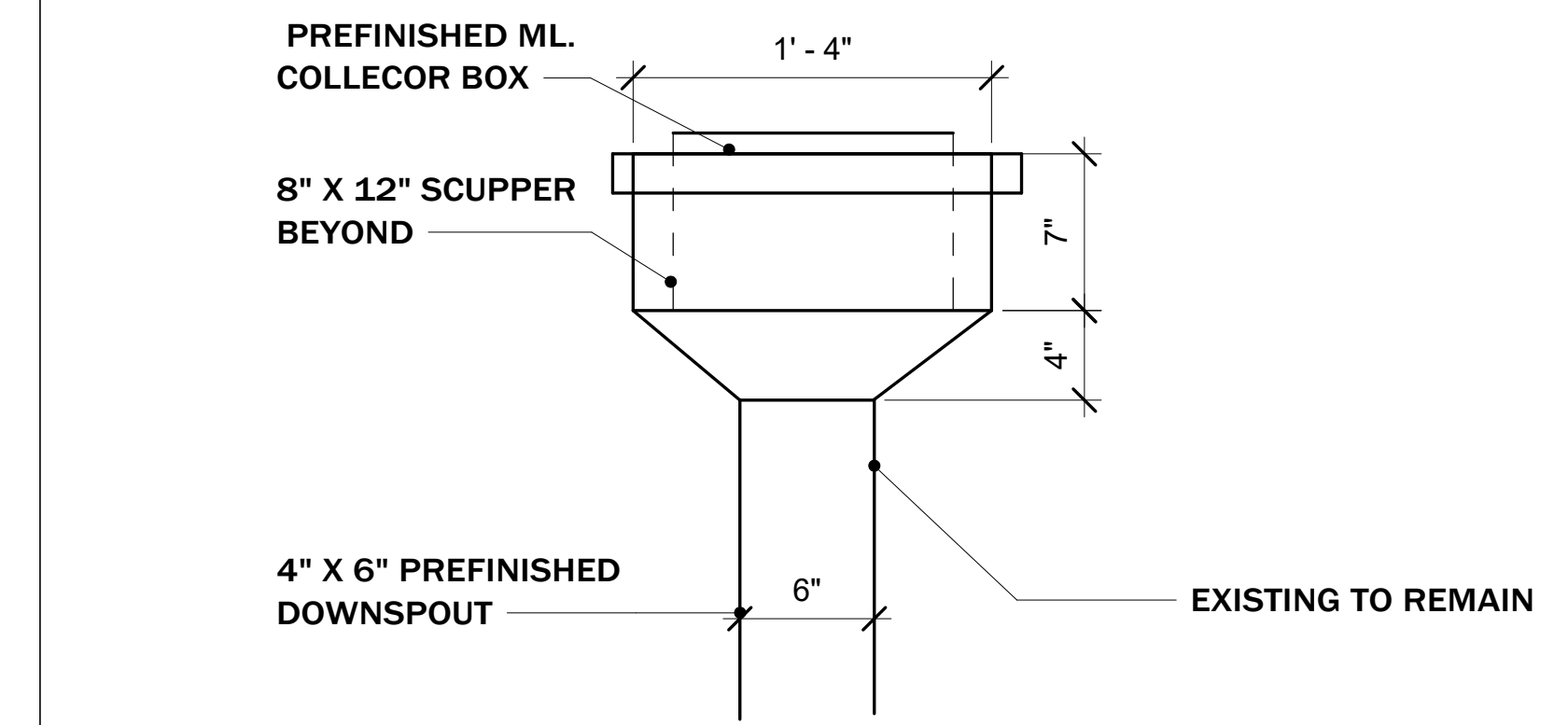
3 DOGHOUSE SPLASHBLOCK/ DS. DET. 3" = 1'-0"



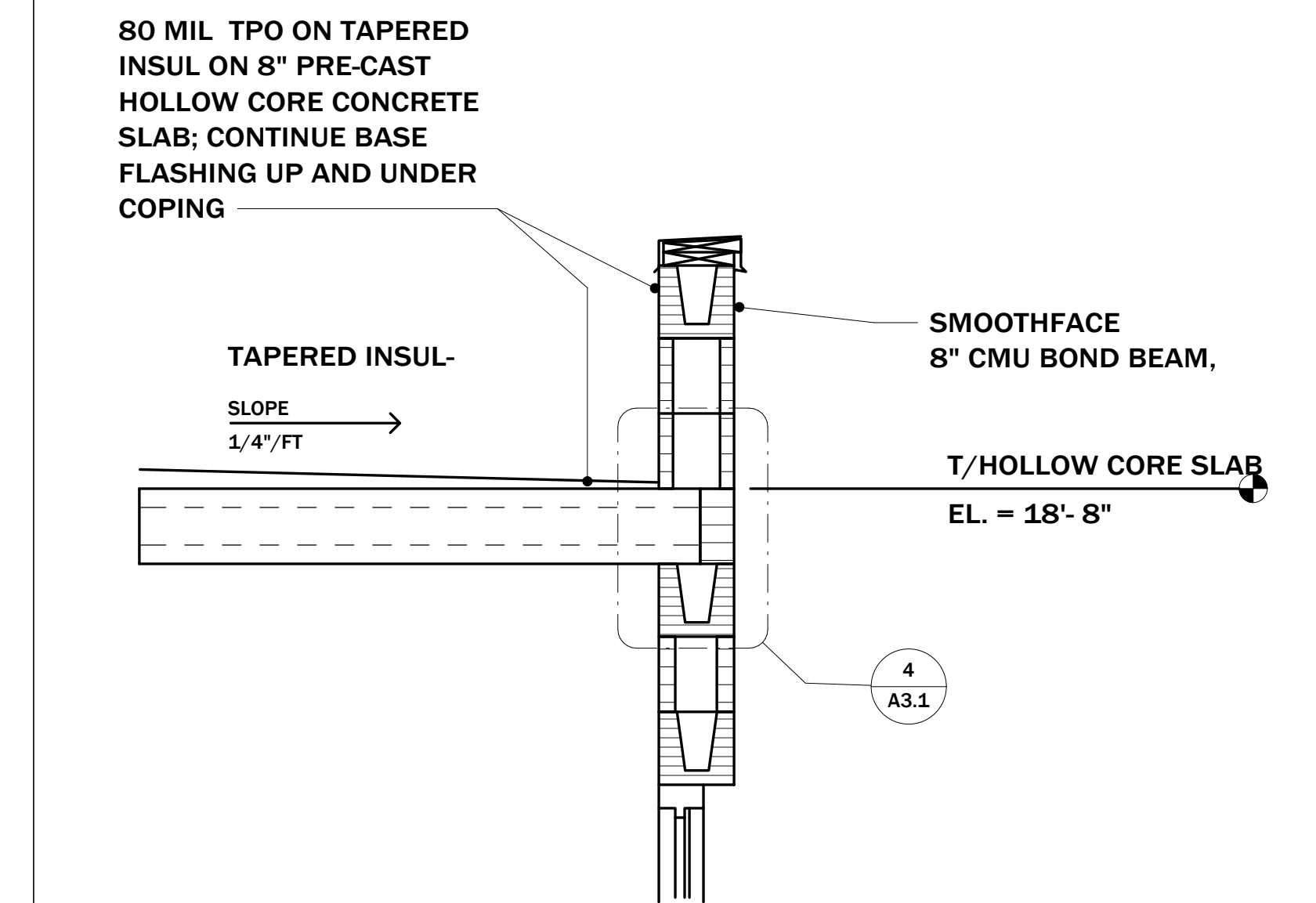
4 TYP. THRU WALL SCUP. DET. @ BLC. 3" = 1'-0"



5 WALL SECTION @ CELL & DOGHOUSE



6 SCUPPER COLL.N BOX ELEVATION 1 1/2" = 1'-0"



7 CELL WALL SECTION 3/4" = 1'-0"

UNION COUNTY JAIL ROOF

Union County, GA Sheriff's Office

378 Beasley Street

Blairsville, GA 30512

RELEASED FOR CONSTRUCTION

Revisions		
No.	Date	Description
1	11/10/2020	BID SET



Gardner Spencer Smith & Jarbeau

A Professional Corporation for the Practice of Architecture

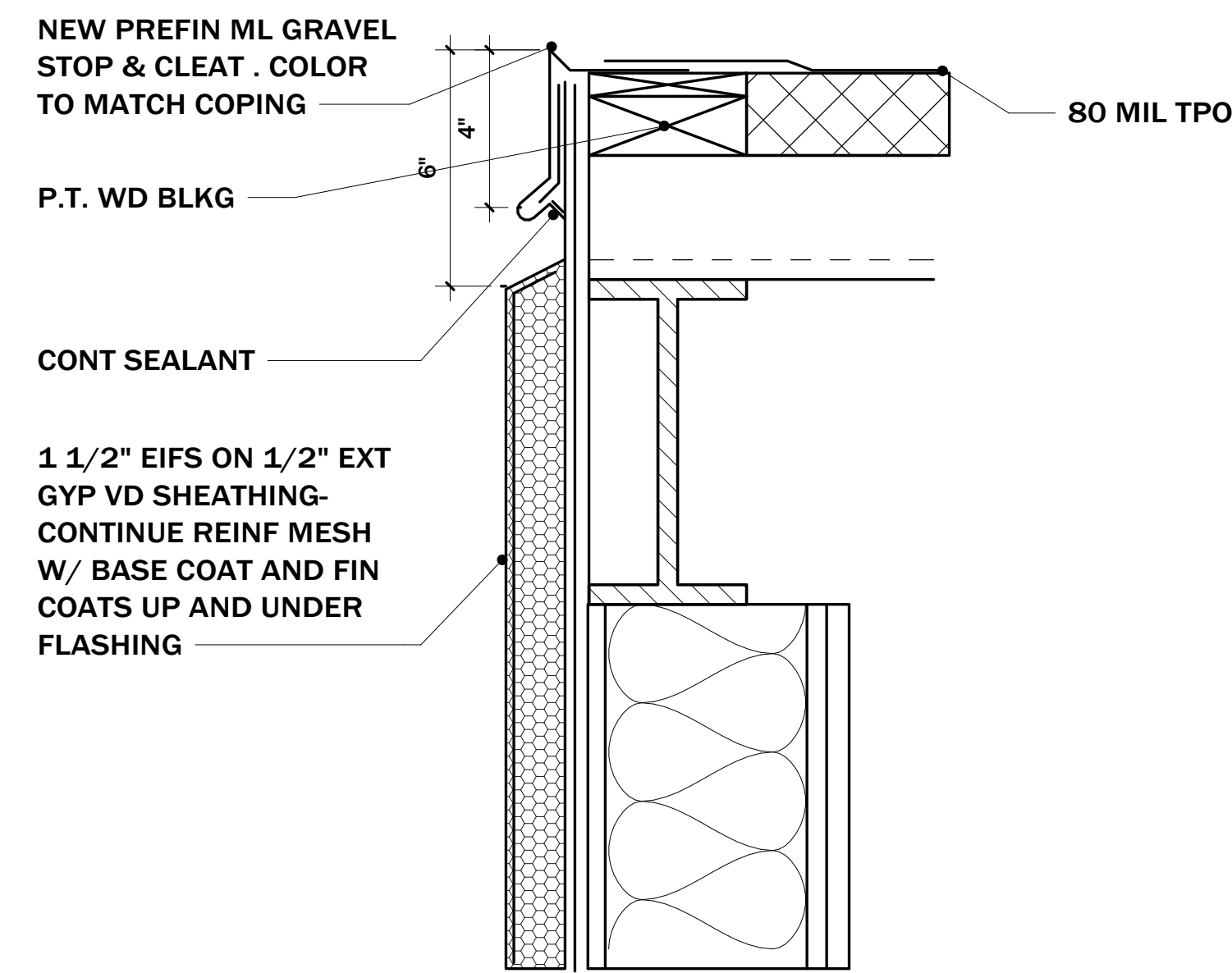
www.gsstj.com
50 Hurt Plaza SW, Suite 1100, Atlanta, Georgia 30303
404.522.8805, 404.521.2118 (F)

PROJECT NO. 20116

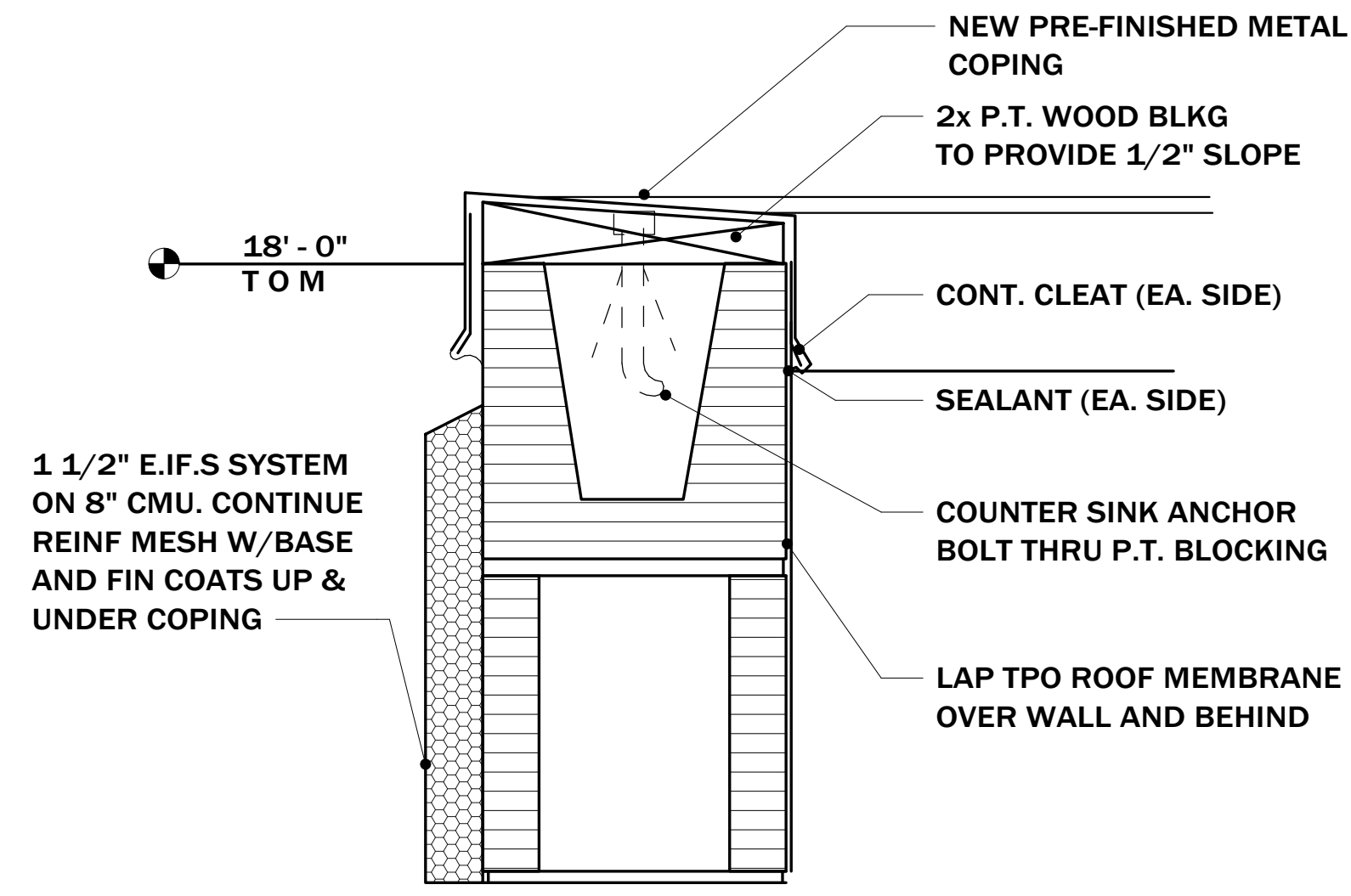
SHEET TITLE WALL SECTIONS AND DETAILS

SHEET NO. A3.1

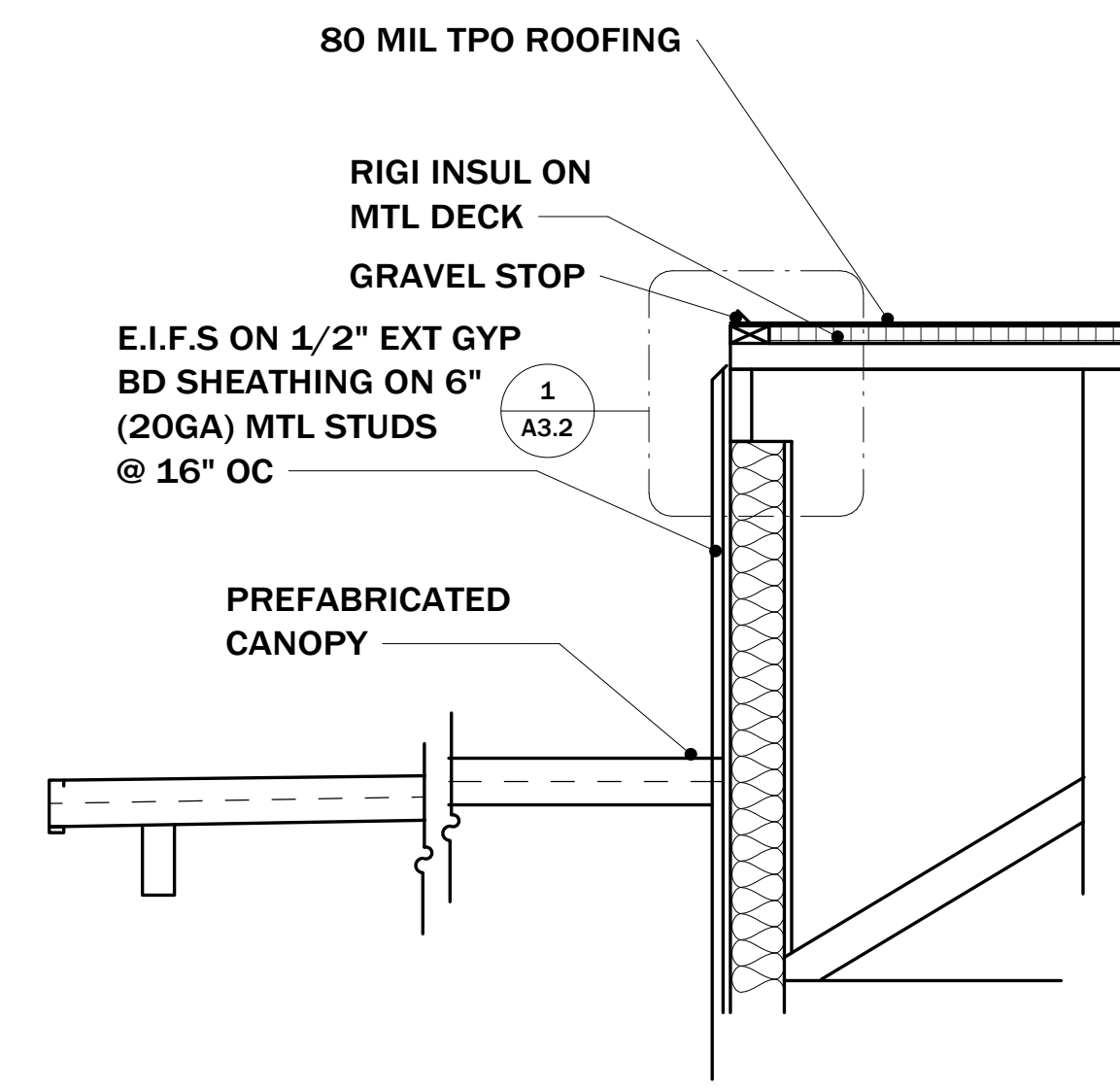
© 2020. THESE DOCUMENTS REMAIN THE PROPERTY OF THE ARCHITECT AND MAY NOT BE USED OR REPRODUCED WITHOUT WRITTEN PERMISSION.



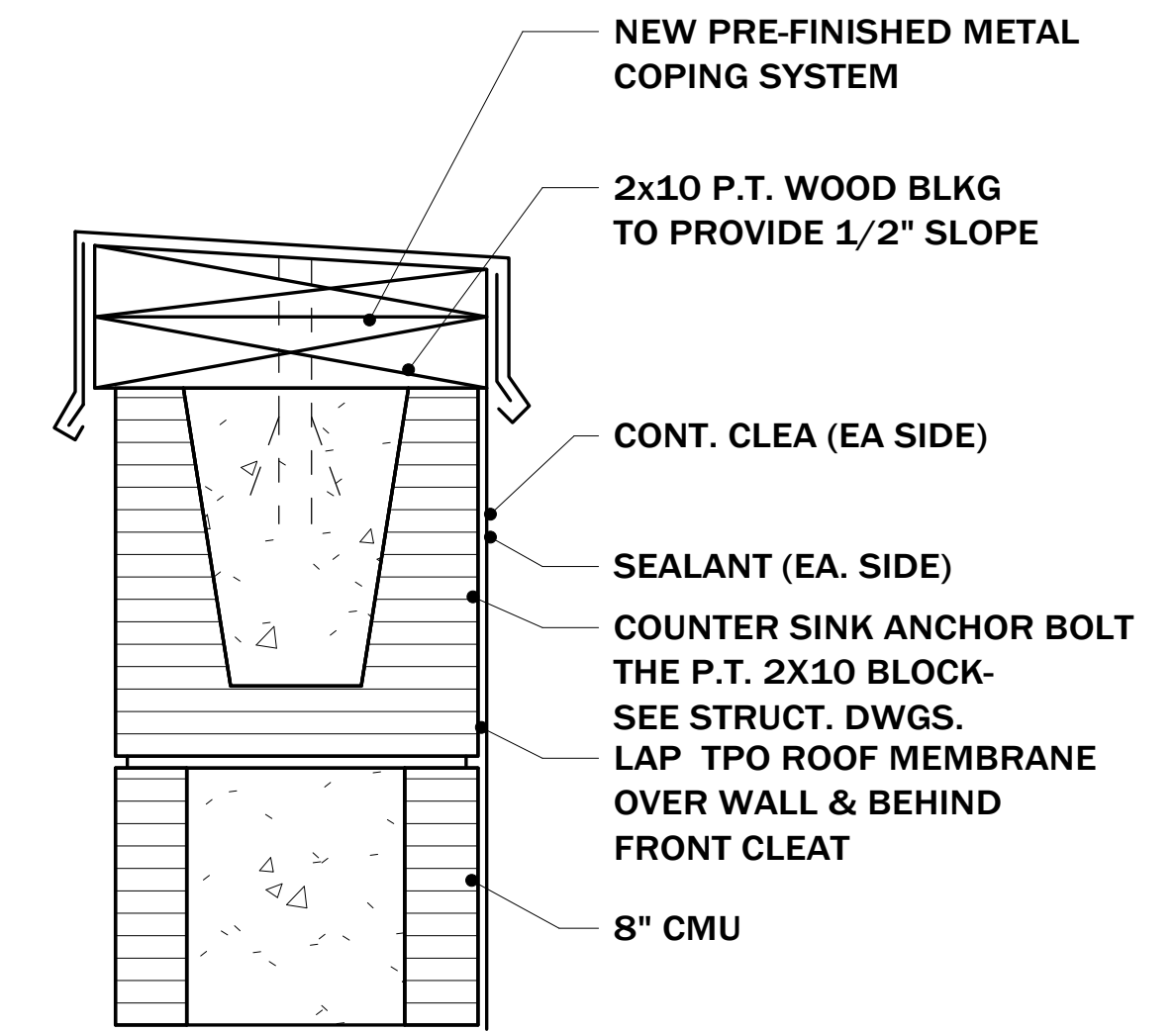
1 ROOF EDGE DETAIL 3" = 1'-0"



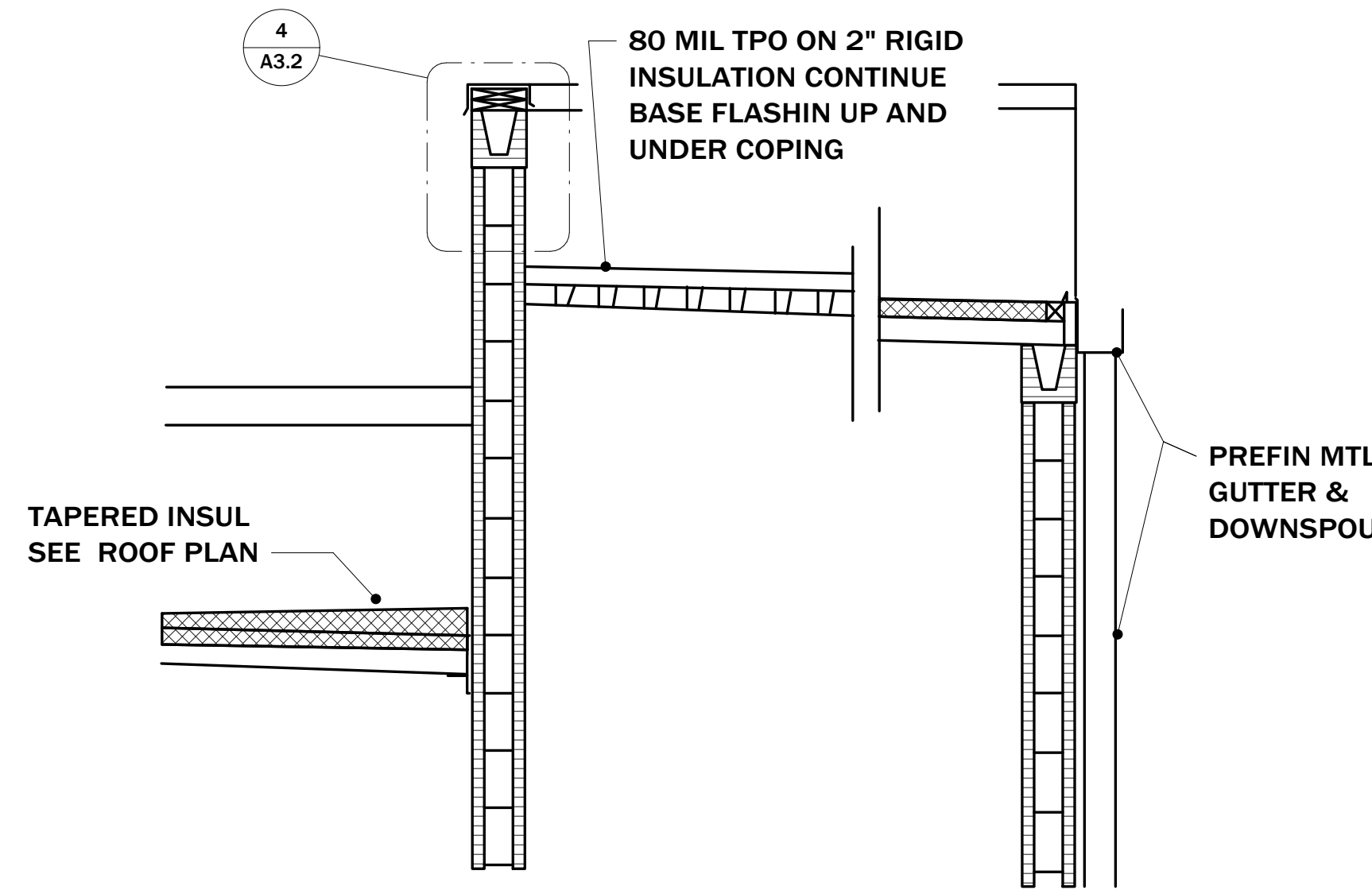
2 TYP COPING DETAIL 3" = 1'-0"



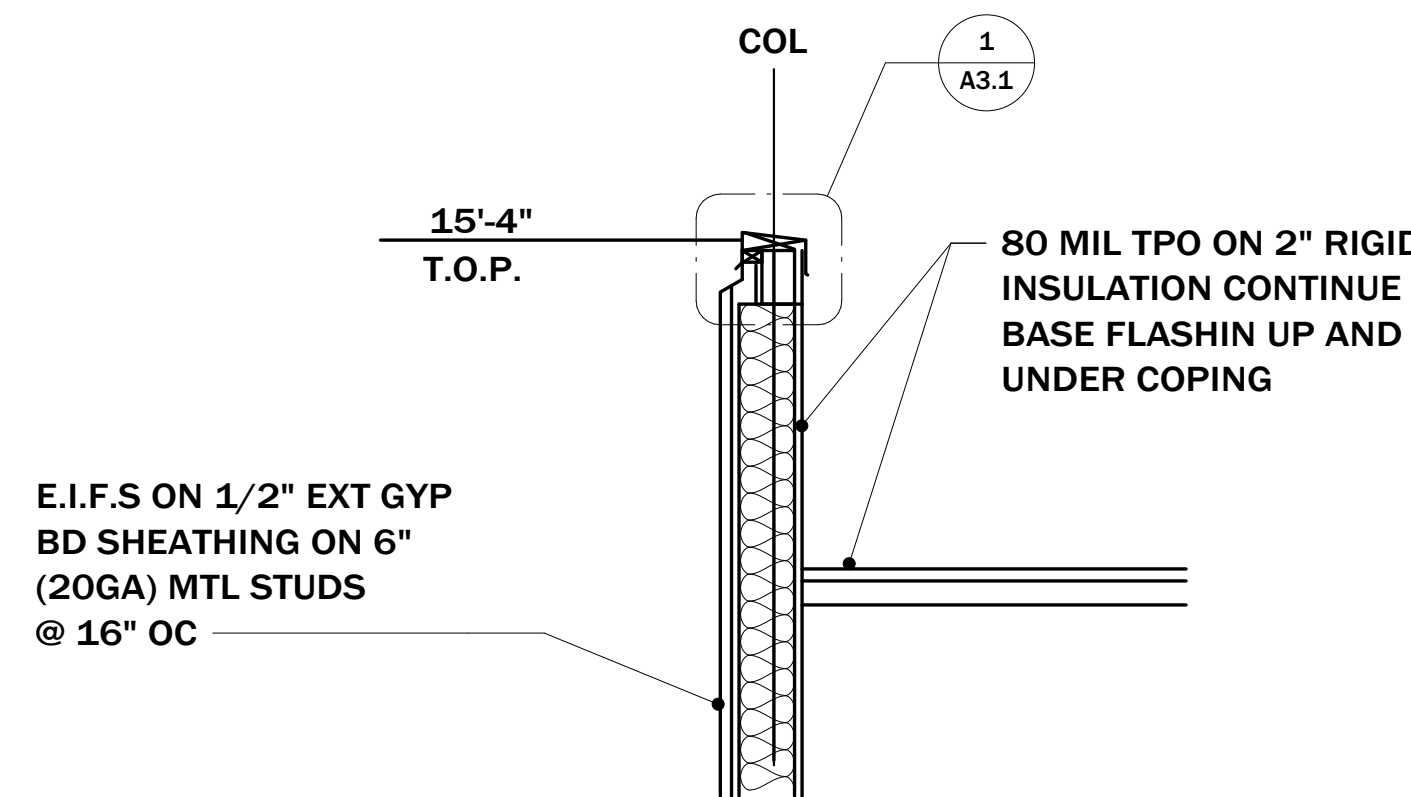
3 SECTION AT OUTDOOR REC. WINDOW 3/4" = 1'-0"



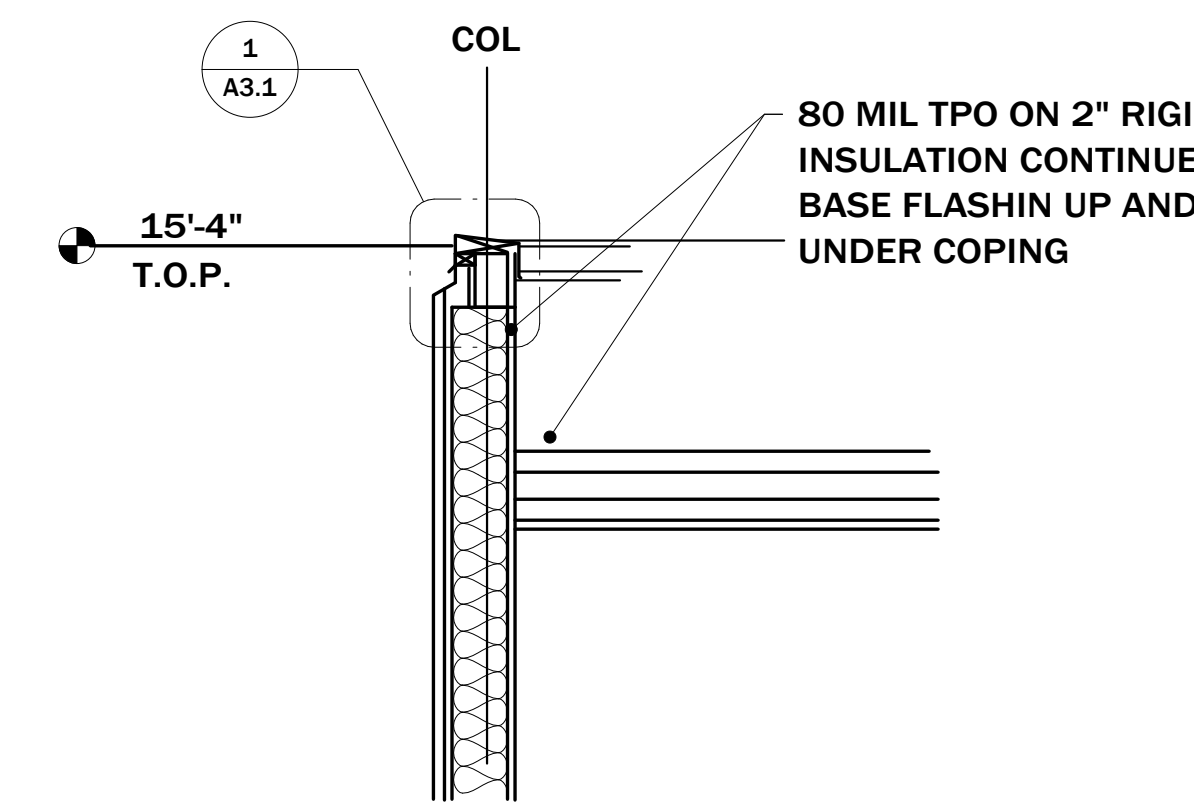
4 COPING DETAIL @ BLOCK WALL 3" = 1'-0"



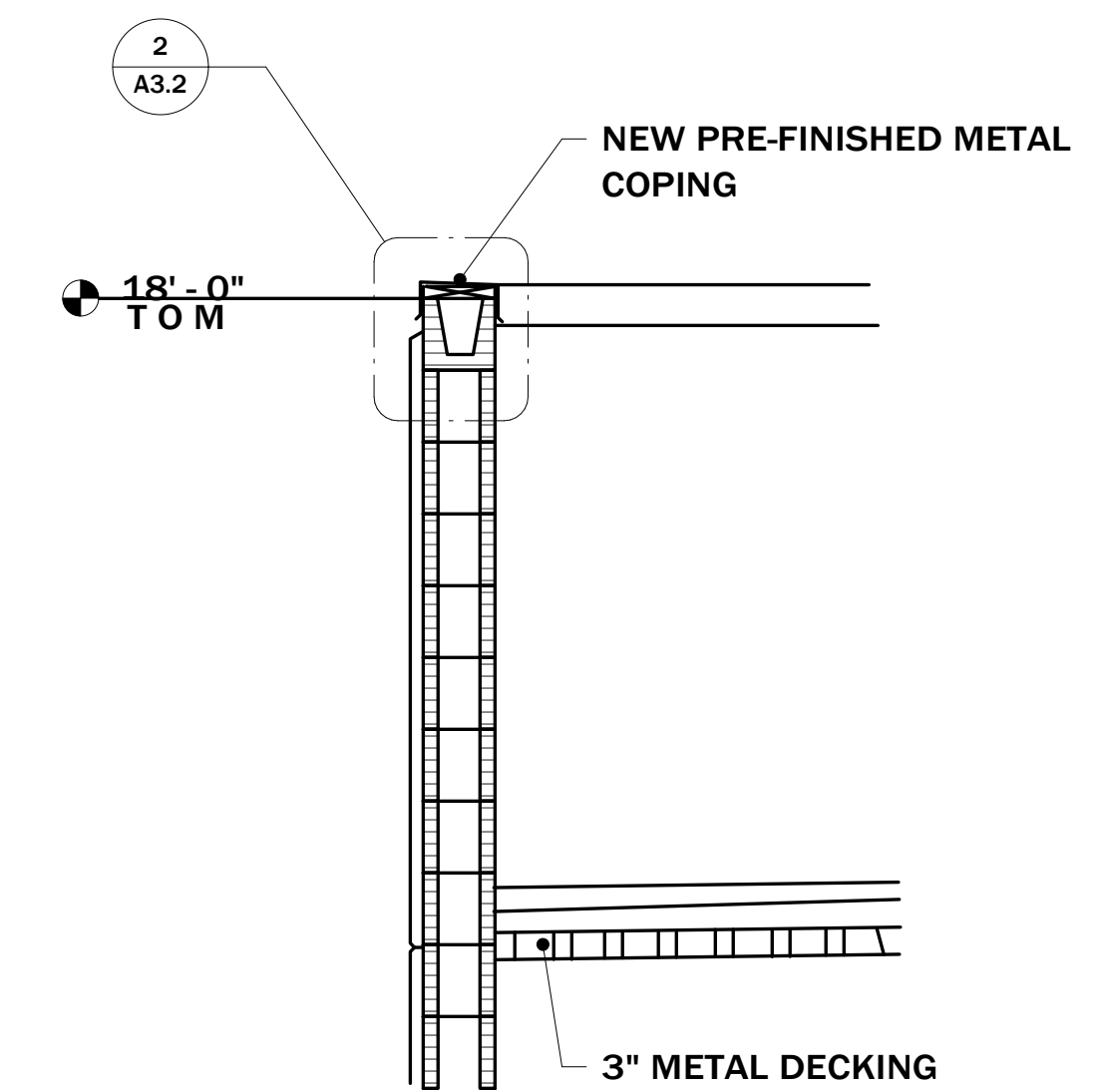
5 WALL SECT @ VEHIC. SALLYPORT 3/4" = 1'-0"



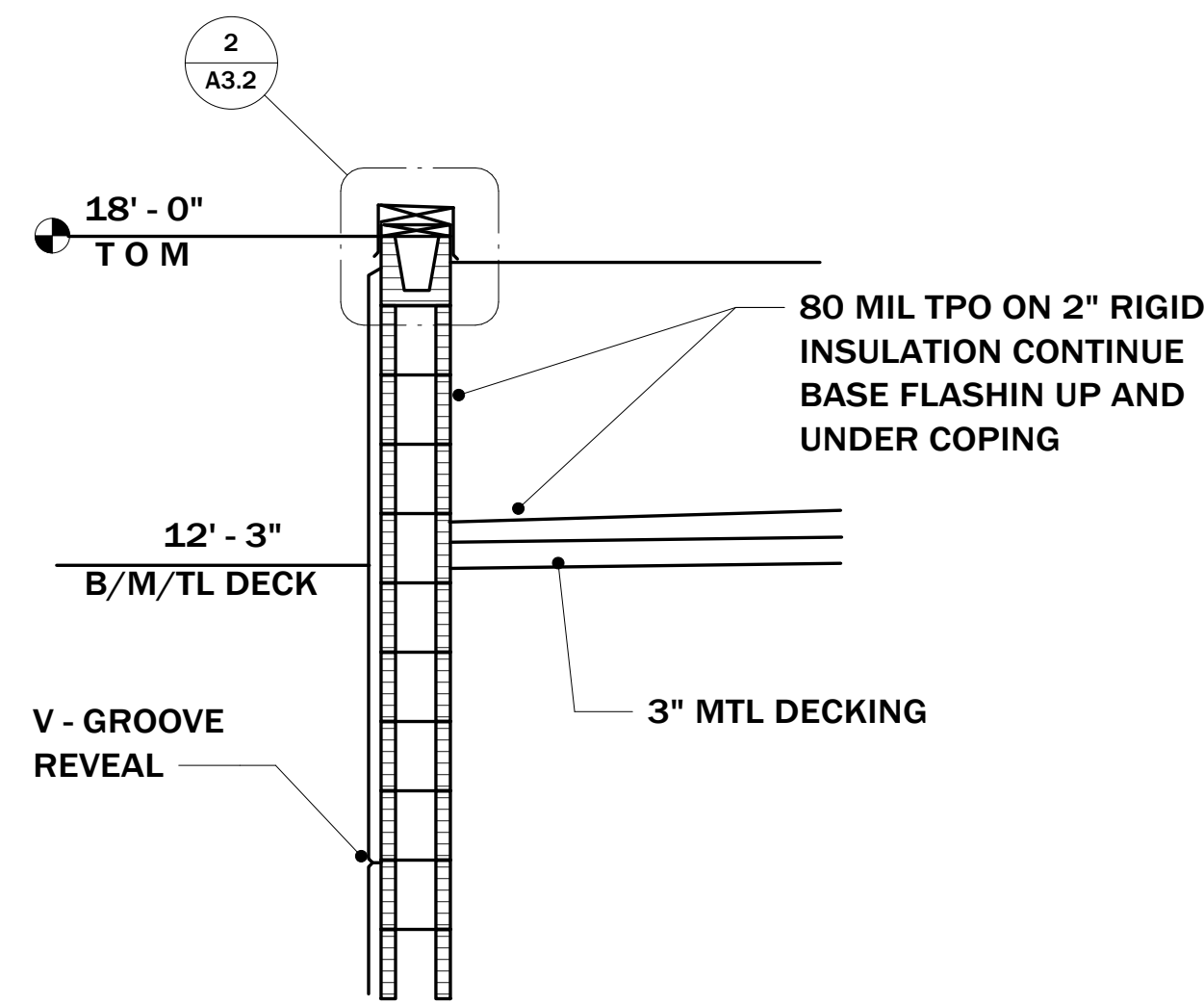
6 WALL SECT @ SHERIFFS OFFICE 3/4" = 1'-0"



7 TYP WALL SECT @ SHERIFF'S OFF 3/4" = 1'-0"



8 WALL SECT. @ VISITATION 3/4" = 1'-0"



9 TYPICAL WALL SECT. @ DRY STOR. 3/4" = 1'-0"

UNION COUNTY JAIL ROOF

Union County, GA Sheriff's Office

378 Beasley Street

Blairsville, GA 30512

RELEASED FOR CONSTRUCTION

Revisions

No.	Date	Description
1	11/10/2020	BID SET

11/10/2020

BID SET

A3.2

PROJECT NO. 20116

SHEET TITLE WALL SECTIONS AND DETAILS

SHEET NO.

© 2020. THESE DOCUMENTS REMAIN THE PROPERTY OF THE ARCHITECT AND MAY NOT BE USED OR REPRODUCED WITHOUT WRITTEN PERMISSION.